

CATALOGUE

# Walcom®

2021.2022



[WWW.WALMEC.COM](http://WWW.WALMEC.COM)

EN

## INDEX

<b>SPRAY GUNS</b>		<b>PAINTING ACCESSORIES</b>	
Genesi Carbonio 360 Light HTE base	6	Various	56
Genesi Carbonio 360 Light HTE clear	8	Hoses	62
Genesi Carbonio 360 Light HVLP	10	<b>FILTER SERIES</b>	
Genesi Carbonio 360 Light GEO	12	FSRD 4 - FSRD 3 - FSRD 2	65
EGO Carbonio 190 HTE - HVLP	14	FSRD - FCA - PFR	66
Genesi Top Line HTE - HVLP - GEO	18	ESR - THK - Filter spare parts	67
Slim Kombat - Slim XLight - Slim	22	<b>THERMODRY TECHNOLOGY</b>	
EGO HTE - HVLP & Grafo system	38	TD <sup>3</sup> PRO - TD <sup>1</sup> PRO (+ THC) - THT	70
<b>AUTOMATIC SPRAY GUNS</b>		THK - THRC - Fan Jet Thermo - Fan Jet Stand	71
MATIK HTE 3/4 - HVLP 3/4 - GEO 3/4	40	<b>FAN JET LINE</b>	
<b>MAIN SPRAY GUN SPARE PARTS</b>		Fan Jet	72
Genesi Carbonio needle - nozzle - cap set	42	Fan Jet Magnetic	72
Genesi Top Line needle - nozzle - cap set	42	Fan Jet Stand	72
Slim Kombat needle - nozzle - cap set	43	<b>ECODRY</b>	
Slim XLight needle - nozzle - cap set	43	Ecody	73
Slim needle - nozzle - cap set	43	Ecody Light	73
EGO Carbonio needle - nozzle - cap set	43	Ecody Stand	73
EGO needle - nozzle - cap set	43	<b>SPRAY GUN CLEANER</b>	
MATIK needle - nozzle - cap set	43	Easy/S	75
Spare parts box	44	Easy/W	75
Gaskets kit	44	<b>COMPRESSED AIR GUNS</b>	
Cups	45	IM BODY	76
<b>COUPLINGS AND PLUGS</b>		AS/FG	77
X300 U	49	PC/NS-FG	77
X300	50	IA/L-FG	77
X400	51	IA/LU-FG	77
<b>AIR PRESSURE REGULATOR FOR SPRAY GUNS</b>		TS	77
MR-DGT diaphragm regulator	52		
Air pressure regulator	53		

### KEY OF THE SYMBOLS USED:



body shop



building



touch-up



decoration



industry



woodworking



D.I.Y.



paint type



Spraygun weight is without cup and regulator.

# COMPANY 4.0



A history of over 70 years of activity makes Walmec one of the more long living companies, not only in the pressurized air scenario, but also in the whole national territory.

This is source of great pride for us, because it show how far can a company go, if it puts customers' satisfaction as its first goal.

Behind all those years there the sacrifices of lot of people that have devoutly dedicated their time, passion, professionalism to our cause, there are ideas, chance but, above all, the strong will to never stop. Coming from all of us.

Today we need to look further more than ever.

Markets are growing, evolving, demanding.

Companies have to satisfy all of the needs they dictate, needs that are not simply involving the creation of a new product or a fast service.

Innovation, quality, promptness are just the basic requisite for a company that wants to survive in nowadays market.

70 years old Walmec wants to amaze who believes that the productive future is only tied to certain areas by continuing to offer a 100% MADE IN ITALY product.

Amaze who believes that manufacturing technologies are already established by investing and renewing its equipment with constantly more advanced CNC, automate and incredibly precise. Amaze who believes that you cannot go beyond some predetermined frameworks of products' constructive nature by exploring unused and charming roads, made of hyper technological and super performing materials.

To amaze is simply to think outside the box and to allow all the people that work with our products to find non just the quality, the price and the service that they righteously demand, but above all to try something completely unexpected, unthinkable, unpredictable.

Walmec is ready for it and we are sure that we together will amaze.



WALMEC S.P.A.  
IS UNI EN ISO 9001:2015 CERTIFIED  
WITH CERTIFICATE NR. 37971/19/S

[WWW.WALMEC.COM](http://WWW.WALMEC.COM)



# GENESI CARBONIO 360 Light

Walcom®, after the revolution in the spray gun world marked by the advent of the Genesi Carbonio 360, today we present another version, more performing, efficient and easy to handle: the **Genesi Carbonio 360 Light**.

Unaltered in its main design features, Genesi Carbonio 360 Light combines all the benefits of using carbon fiber, forged aluminum and stainless steel, with new technological solutions that enrich its value and functionality:

- the new nanotechnological treatment of the surface, which makes the carbon fiber less porous and easier to clean;
- the new anodized "anticorodal" aluminum cap, which allows an even more precise machining of the holes;
- the new air valve, which makes the air flow more homogeneous allowing the operator to adjust more easily the spray gun;
- the new FTA (fast turning aircap) system, i.e. screwing and unscrewing the cap ring in a single turn;
- the new weight: 340 grams, even lighter and easier to handle.

Genesi Carbonio 360 Light, a further step forward in terms of performance, atomization, transfer efficiency and ease of maintenance.

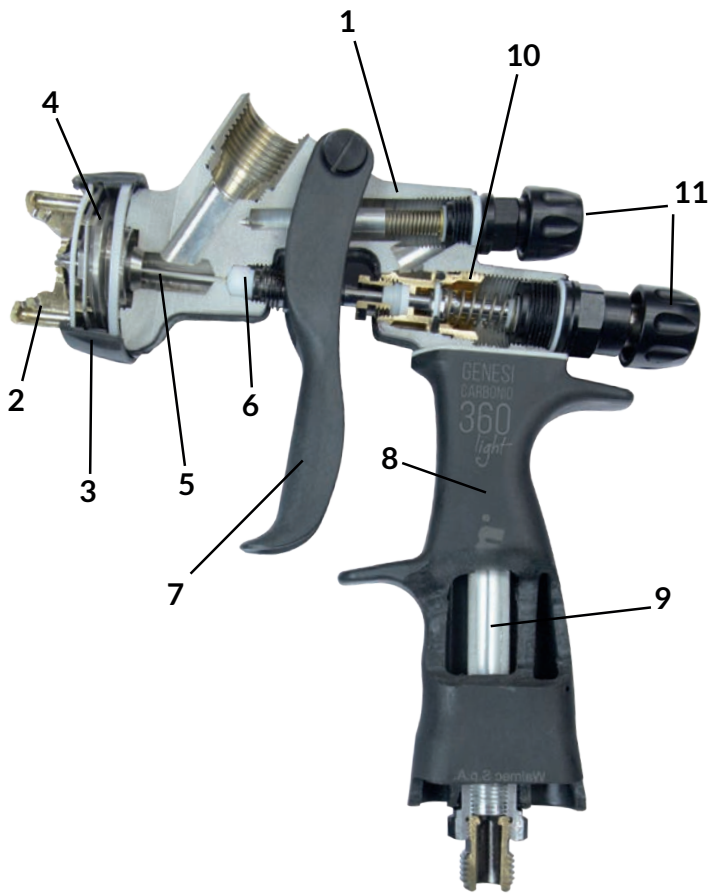
Tested, appreciated and validated by all the main technical centers of paint manufacturers.

Compliant and tested by independent laboratory UDRI.

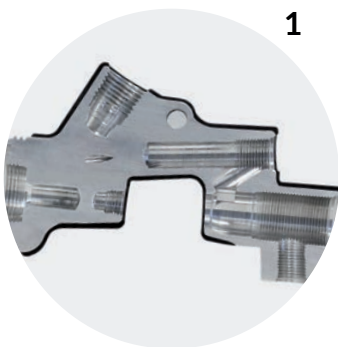


## GENESI CARBONIO 360 Light: product and specifications section

The spray gun is constructed with an air valve and needle on a single axis to provide higher performance and greater maintenance simplicity.



- 1 Forged aluminum and carbon fiber body.
- 2 Anodized aluminum air cap.
- 3 Carbon fiber ring (cap).
- 4 Stainless steel AISI 303 nozzle - mechanical direct seal and air diffuser.
- 5 Stainless steel AISI 303 needle.
- 6 Needle packing nut.
- 7 Ergonomic carbon fiber lever.
- 8 Ergonomic carbon fiber handle.
- 9 Aluminum air passage.
- 10 Brass air valve and PTFE (teflon) seals, resistant to aggressive chemicals.
- 11 Aluminum adjusting knobs, micro-precision adjustments for paint flow and fan.



- 1 **BODY:**  
Forged aluminum body and carbon fiber layer (1 mm).  
CNC one by one with 5 axis advanced generation machine to deliver the highest reliability, quality and precision.
- 2 **ADJUSTMENT KNOBS:**  
Anodized matt aluminum knob, stainless steel threaded pin, aluminum bush with stainless steel helicoid, low friction and maximum precision.
- 3 **AIR FLOW REGULATOR:**  
Digital air flow regulator, semi-automatic quick disconnecting coupler, carbon fiber housing, battery can be easily replaced.  
Air inlet M 1/4, straight compact or 30° swiveling version available.
- 4 **FTA:**  
Fast Turning Aircap, the practical Walcom® system for screwing and unscrewing the cap ring in a single turn instead of the usual three.  
This improvement allows the operator greater speed and convenience in this operation which is generally carried out several times a day.

# Genesi Carbonio 360 Light HTE base

## IDEAL FOR SOLVENT AND WATERBORNE BASE COAT.

HTE by Walcom®, more than 20 years of experience with the most popular technology in the market, the paint system that combines adequate atomizing pressure and high transferred efficiency, certified by international independent laboratory and research institutes.

The B series air caps developed in collaboration with the paint companies, the 12-hole nozzle with diffuser and flexibility in the product and fan adjustment make it a real jewel in the application of the latest generation paint products.

GENESI CARBONIO HTE base is an excellent professional tool and these are some of the features:

- high atomization and product lay out,
- low air consumption (350 l/min) at 2 bar,
- compliant max 2 bar,
- certified transfer efficiency over 70%,
- nozzle with special diffuser for air flow homogeneity,
- easy to adjust and versatility,
- ergonomic handle and lever,
- carbon fiber for lightness and corrosion resistance,
- excellent color match, certified,
- 340 g weight, the lightest on the market.



Check the correct setup of the spray gun here, or visit [www.walcom.com/solutionfinder](http://www.walcom.com/solutionfinder)

### PAINTING DISTANCE

15-20 cm for an ideal material distribution.

### BOX

Cardboard box packaging includes: sprayguns, rebuild kit (spring, seals, air aneral lube oil, instruction manual and warranty).

### SUITCASE

Rigid plastic suitcase includes: spraygun, air control with gauge ( for item id 9730\*\* and 9735\*\*), rebuild kit (spring, seals, air valve), cup, wrench tool, mineral lube oil, instruction manual and warranty.



- 1 NOZZLE**  
Stainless steel nozzle with air diffuser TOPRING.
- 2 FAN PATTERN CONTROL**  
From 0 to 5 turns of opening for a micrometric and ideal setting of the fan according to your needs.
- 3 MATERIAL FLOW CONTROL**  
From 0 to 5 opening turns for a micrometric and ideal setting of the product delivery based on the paint and the speed of the operator.
- 4 AIR INLET PRESSURE**  
Usage range 0.5 - 2.5 bar



TYPE

ITEM ID

RECOMMENDED USE

## Genesi Carbonio 360 Light **HTE base**

Cup: POM C 680 cc

Ref. 9730\*\*

Cup aluminum 750 cc

Ref. 9735\*\*

- Body: forged aluminum and carbon fiber
- Handle and trigger: carbon fiber
- Air cap: anodized aluminum
- Air cap ring: carbon fiber
- Nozzle: stainless steel AISI 303
- Needle - springs: stainless steel AISI 303
- Seal gaskets: self-lubricating and adjustable PTFE (Teflon)
- **Weight: 340 g**
- Operating air pressure: range 0.5 - 2.5 bar / compliant max 2 bar
- Air consumption: 350 l/min at 2 bar
- Ø nozzle: 1.0 - 1.1 - 1.2 - 1.3 - 1.4 - 1.7 - 1.9

**Digital pressure gauge and air control regulator with quick connection sytem, made of carbon fiber. Swiveling connection.**



BASE COAT

Note:  
add nozzle Ø to Ref. (\*\*)

**Packaging:**



## Genesi Carbonio 360 Light **HTE base**

Cup: POM C 680 cc

Ref. 9720\*\*

Cup aluminum 750 cc

Ref. 9725\*\*

- Body: forged aluminum and carbon fiber
- Handle and trigger: carbon fiber
- Air cap: anodized aluminum
- Air cap ring: carbon fiber
- Nozzle: stainless steel AISI 303
- Needle - springs: stainless steel AISI 303
- Seal gaskets: self-lubricating and adjustable PTFE (Teflon)
- **Weight: 340 g**
- Operating air pressure: range 0.5 - 2.5 bar / compliant max 2 bar
- Air consumption: 350 l/min at 2 bar
- Ø nozzle: 1.0 - 1.1 - 1.2 - 1.3 - 1.4 - 1.7 - 1.9



BASE COAT

Note:  
add nozzle Ø to Ref. (\*\*)

**Packaging:**



## Genesi Carbonio 360 Light **HTE base**

Spray gun only

Ref. 9760\*\*

Spray gun only + digital pressure gauge and air control regulator

Ref. 9765\*\*

- Body: forged aluminum and carbon fiber
- Handle and trigger: carbon fiber
- Air cap: anodized aluminum
- Air cap ring: carbon fiber
- Nozzle: stainless steel AISI 303
- Needle - springs: stainless steel AISI 303
- Seal gaskets: self-lubricating and adjustable PTFE (Teflon)
- **Weight: 340 g**
- Operating air pressure: range 0.5 - 2.5 bar / compliant max 2 bar
- Air consumption: 350 l/min at 2 bar
- Ø nozzle: 1.0 - 1.1 - 1.2 - 1.3 - 1.4 - 1.7 - 1.9



BASE COAT

Note:  
add nozzle Ø to Ref. (\*\*)

**Packaging:**





# Genesi Carbonio 360 Light HTE clear

## IDEAL FOR CLEAR CLOAT APPLICATION MS-HS UHS ACRYLICS.

To offer greater efficiency and quality of coating, we have studied a specific version for clear.

HTE clear is equipped with a high atomization cap C and the new MP cap for an increased wet ratio, which allow to achieve unparalleled results in terms of fan size and product finish, guaranteeing perfect layout of the clear and reducing its "orange peel effect".

The flexibility of the product adjustment allows the operator to find the right feeling in using this spray gun, to better enhance its incredible qualities.

GENESI CARBONIO 360 HTE clear is an excellent professional tool and these are some of the features:

- high atomization and product lay out,
- low air consumption (380 l/min) at 2 bar,
- compliant max 2 bar,
- certified transfer efficiency over 70%,
- nozzle with special diffuser for air flow homogeneity,
- easy to adjust and versatility,
- ergonomic handle and trigger,
- carbon fiber for lightness and corrosion resistance,
- resistant to solvent and pickling chemicals,
- 340 g weight, the lightest on the market.



Check the correct setup of the spray gun here, or visit [www.walmec.com/solutionfinder](http://www.walmec.com/solutionfinder)

### PAINTING DISTANCE

15-20 cm for an ideal material distribution.

### BOX

Cardboard box packaging includes: sprayguns, rebuild kit (spring, seals, air aneral lube oil, instruction manual and warranty).

### SUITCASE

Rigid plastic suitcase includes: spraygun, air control with gauge ( for item id 9630\*\* and 9635\*\*), rebuild kit (spring, seals, air valve), cup, wrench tool, mineral lube oil, instruction manual and warranty.



- 1 NOZZLE**  
Stainless steel nozzle with air diffuser TOPRING.
- 2 FAN PATTERN CONTROL**  
From 0 to 5 turns of opening for a micrometric and ideal setting of the fan according to your needs.
- 3 MATERIAL FLOW CONTROL**  
From 0 to 5 opening turns for a micrometric and ideal setting of the product delivery based on the paint and the speed of the operator.
- 4 AIR INLET PRESSURE**  
Usage range 0.5 - 2.5 bar



TYPE

ITEM ID

RECOMMENDED USE

## Genesi Carbonio 360 Light HTE clear

Cup: POM C 680 cc

Ref. 9630\*\*

Cup aluminum 750 cc

Ref. 9635\*\*

- Body: forged aluminum and carbon fiber
- Handle and trigger: carbon fiber
- Air cap: anodized aluminum
- Air cap ring: carbon fiber
- Nozzle: stainless steel AISI 303
- Needle - springs: stainless steel AISI 303
- Seal gaskets: self-lubricating and adjustable PTFE (Teflon)
- **Weight: 340 g**
- Operating air pressure: range 0.5 - 2.5 bar / compliant max 2 bar
- Air consumption: 380 l/min at 2 bar
- Ø nozzle: 1.1 - 1.2 - 1.3 - 1.4 - 1.7 - 1.9

**Digital pressure gauge and air control regulator with quick connection sytem, made of carbon fiber. Swiveling connection.**



BASE COAT  
CLEAR COAT

Note:  
add nozzle Ø to Ref. (\*\*)

**Packaging:**



## Genesi Carbonio 360 Light HTE clear

Cup: POM C 680 cc

Ref. 9620\*\*

Cup aluminum 750 cc

Ref. 9625\*\*

- Body: forged aluminum and carbon fiber
- Handle and trigger: carbon fiber
- Air cap: anodized aluminum
- Air cap ring: carbon fiber
- Nozzle: stainless steel AISI 303
- Needle - springs: stainless steel AISI 303
- Seal gaskets: self-lubricating and adjustable PTFE (Teflon)
- **Weight: 340 g**
- Operating air pressure: range 0.5 - 2.5 bar / compliant max 2 bar
- Air consumption: 380 l/min at 2 bar
- Ø nozzle: 1.1 - 1.2 - 1.3 - 1.4 - 1.7 - 1.9



BASE COAT  
CLEAR COAT

Note:  
add nozzle Ø to Ref. (\*\*)

**Packaging:**



## Genesi Carbonio 360 Light HTE clear

Spray gun only

Ref. 9660\*\*

Spray gun only + digital pressure gauge and air control regulator

Ref. 9665\*\*

- Body: forged aluminum and carbon fiber
- Handle and trigger: carbon fiber
- Air cap: anodized aluminum
- Air cap ring: carbon fiber
- Nozzle: stainless steel AISI 303
- Needle - springs: stainless steel AISI 303
- Seal gaskets: self-lubricating and adjustable PTFE (Teflon)
- **Weight: 340 g**
- Operating air pressure: range 0.5 - 2.5 bar / compliant max 2 bar
- Air consumption: 380 l/min at 2 bar
- Ø nozzle: 1.1 - 1.2 - 1.3 - 1.4 - 1.7 - 1.9



BASE COAT  
CLEAR COAT

Note:  
add nozzle Ø to Ref. (\*\*)

**Packaging:**



# Genesi Carbonio 360 Light HVLP

## IDEAL FOR SOLVENT AND WATERBORNE BASE COATS.

It's a perfect tool for waterborne base coats application and solvent based, color match master, air cap pressure 0.7 bar for a traditional HVLP as from California norm n. 1551 SCAQMD and more then 65% efficiency transfer rate. It's very low in air consumption, 360 l/min, equal to LV (low volume) technology consequently saving air and energy. GENESI CARBONIO 360 HVLP is an excellent professional tool and these are some of the features:

- high atomization and product lay out for base coats,
- low air consumption (360 l/min) a 2 bar: LV Technology,
- HVLP max 2 bar,
- certified transfer efficiency over 70%,
- nozzle with special diffuser for airflow homogeneity,
- easy to adjust and versatility,
- ergonomic handle and trigger,
- carbon fiber for lightness and corrosion resistance,
- excellent color match, certified,
- resistant to solvent and pickling chemicals,
- 340 g weight, the lightest on the market.



Check the correct setup of the spray gun here, or visit [www.walmec.com/solutionfinder](http://www.walmec.com/solutionfinder)

### PAINTING DISTANCE

10-15 cm for an ideal material distribution.

### BOX

Cardboard box packaging includes: sprayguns, rebuild kit (spring, seals, air aneral lube oil, instruction manual and warranty).

### SUITCASE

Rigid plastic suitcase includes: spraygun, air control with gauge ( for item id 9830\*\* and 9835\*\*), rebuild kit (spring, seals, air valve), cup, wrench tool, mineral lube oil, instruction manual and warranty.



- 1 NOZZLE**  
Stainless steel nozzle with air diffuser TOPRING.
- 2 FAN PATTERN CONTROL**  
From 0 to 5 turns of opening for a micrometric and ideal setting of the fan according to your needs.
- 3 MATERIAL FLOW CONTROL**  
From 0 to 5 opening turns for a micrometric and ideal setting of the product delivery based on the paint and the speed of the operator.
- 4 AIR INLET PRESSURE**  
Usage range 0.5 - 2.5 bar



TYPE

ITEM ID

RECOMMENDED USE

## Genesi Carbonio 360 Light **HVLP**

Cup: POM C 680 cc  
Cup aluminum 750 cc

Ref. 9830\*\*  
Ref. 9835\*\*



BASE COAT

- Body: forged aluminum and carbon fiber
  - Handle and trigger: carbon fiber
  - Air cap: anodized aluminum
  - Air cap ring: carbon fiber
  - Nozzle: stainless steel AISI 303
  - Needle - springs: stainless steel AISI 303
  - Seal gaskets: self-lubricating and adjustable PTFE (Teflon)
  - **Weight: 340 g**
  - Operating air pressure: range 0.5 - 2.5 bar / HVLP max 2 bar
  - Air consumption: 360 l/min at 2 bar
  - Ø nozzle: 1.1 - 1.2 - 1.3 - 1.4 - 1.5 - 1.7 - 1.9
- Digital pressure gauge and air control regulator with quick connection sytem, made of carbon fiber. Swiveling connection.**



Note:  
add nozzle Ø to Ref. (\*\*)

**Packaging:**



## Genesi Carbonio 360 Light **HVLP**

Cup: POM C 680 cc  
Cup aluminum 750 cc

Ref. 9820\*\*  
Ref. 9825\*\*



BASE COAT

- Body: forged aluminum and carbon fiber
- Handle and trigger: carbon fiber
- Air cap: anodized aluminum
- Air cap ring: carbon fiber
- Nozzle: stainless steel AISI 303
- Needle - springs: stainless steel AISI 303
- Seal gaskets: self-lubricating and adjustable PTFE (Teflon)
- **Weight: 340 g**
- Operating air pressure: range 0.5 - 2.5 bar / HVLP max 2 bar
- Air consumption: 360 l/min at 2 bar
- Ø nozzle: 1.1 - 1.2 - 1.3 - 1.4 - 1.5 - 1.7 - 1.9



Note:  
add nozzle Ø to Ref. (\*\*)

**Packaging:**



## Genesi Carbonio 360 Light **HVLP**

Spray gun only  
Spray gun only + digital pressure gauge and air control regulator

Ref. 9860\*\*  
Ref. 9865\*\*



BASE COAT

- Body: forged aluminum and carbon fiber
- Handle and trigger: carbon fiber
- Air cap: anodized aluminum
- Air cap ring: carbon fiber
- Nozzle: stainless steel AISI 303
- Needle - springs: stainless steel AISI 303
- Seal gaskets: self-lubricating and adjustable PTFE (Teflon)
- **Weight: 340 g**
- Operating air pressure: range 0.5 - 2.5 bar / HVLP max 2 bar
- Air consumption: 360 l/min at 2 bar
- Ø nozzle: 1.1 - 1.2 - 1.3 - 1.4 - 1.5 - 1.7 - 1.9



Note:  
add nozzle Ø to Ref. (\*\*)

**Packaging:**



# Genesi Carbonio 360 Light GEO

## IDEAL FOR WATERBORNE BASE AND SOLVENT.

One of the masterpiece of the Walcom® brand, the GEO dual atomization system, hvlp in respect to the California norm n. 1151 SCAQMD with 0.7 bar at the air cap and more then 65% transfer efficiency, perfect for color match. The dual atomizing nozzle, 6 pre-atomizing holes, excellent product lay out, unique system that delivers incredible performance.

It's very low in air consumption 425 l/min, saving air and consequently energy.

GENESI CARBONIO GEO is an excellent professional tool and these are some of the features:

- high atomization and product lay out for base coats,
- low air consumption (425 l/min) at 2 bar LV technology,
- HVLP max 2 bar,
- certified transfer efficiency over 70%,
- nozzle with special diffuser for airflow homogeneity,
- easy to adjust and versatility,
- ergonomic handle and trigger,
- carbon fiber for lightness and corrosion resistance,
- excellent color match, certified,
- resistant to solvent and pickling chemicals,
- 340 g weight, the lightest on the market.



Check the correct setup of the spray gun here, or visit [www.walmec.com/solutionfinder](http://www.walmec.com/solutionfinder)

### PAINTING DISTANCE

10-15 cm for an ideal material distribution.

### BOX

Cardboard box packaging includes: sprayguns, rebuild kit (spring, seals, air aneral lube oil, instruction manual and warranty).

### SUITCASE

Rigid plastic suitcase includes: spraygun, air control with gauge ( for item id 9930\*\* and 9935\*\*), rebuild kit (spring, seals, air valve), cup, wrench tool, mineral lube oil, instruction manual and warranty.



- 1 GEO NOZZLE**  
Double atomization patented nozzle that provides high performance levels even when working in low pressure (0.7 bar) with UHS transparent.
- 2 FAN PATTERN CONTROL**  
From 0 to 5 turns of opening for a micrometric and ideal setting of the fan according to your needs.
- 3 MATERIAL FLOW CONTROL**  
From 0 to 5 opening turns for a micrometric and ideal setting of the product delivery based on the paint and the speed of the operator.
- 4 AIR INLET PRESSURE**  
Usage range 0.5 - 2.5 bar



TYPE

ITEM ID

RECOMMENDED USE

## Genesi Carbonio 360 Light GEO

Cup: POM C 680 cc  
Cup aluminum 750 cc

Ref. 9930\*\*  
Ref. 9935\*\*



BASE COAT

- Body: forged aluminum and carbon fiber
- Handle and trigger: carbon fiber
- Air cap: anodized aluminum
- Air cap ring: carbon fiber
- GEO nozzle: stainless steel AISI 303
- Needle - springs: stainless steel AISI 303
- Seal gaskets: self-lubricating and adjustable PTFE (Teflon)



- **Weight: 340 g**
  - Operating air pressure: range 0.5 - 2.5 bar / HVLP max 2 bar
  - Air consumption: 425 l/min at 2 bar
  - Ø nozzle: 1.0 - 1.1 - 1.2 - 1.3 - 1.4 - 1.5 - 1.7 - 1.9
- Digital pressure gauge and air control regulator with quick connection sytem, made of carbon fiber. Swiveling connection.**

Note:  
add nozzle Ø to Ref. (\*\*)

**Packaging:**



## Genesi Carbonio 360 Light GEO

Cup: POM C 680 cc  
Cup aluminum 750 cc

Ref. 9920\*\*  
Ref. 9925\*\*



BASE COAT

- Body: forged aluminum and carbon fiber
- Handle and trigger: carbon fiber
- Air cap: anodized aluminum
- Air cap ring: carbon fiber
- GEO nozzle: stainless steel AISI 303
- Needle - springs: stainless steel AISI 303
- Seal gaskets: self-lubricating and adjustable PTFE (Teflon)



- **Weight: 340 g**
- Operating air pressure: range 0.5 - 2.5 bar / HVLP max 2 bar
- Air consumption: 425 l/min at 2 bar
- Ø nozzle: 1.0 - 1.1 - 1.2 - 1.3 - 1.4 - 1.5 - 1.7 - 1.9

Note:  
add nozzle Ø to Ref. (\*\*)

**Packaging:**



## Genesi Carbonio 360 Light GEO

Spray gun only  
Spray gun only + digital pressure gauge and air control regulator

Ref. 9960\*\*  
Ref. 9965\*\*



BASE COAT

- Body: forged aluminum and carbon fiber
- Handle and trigger: carbon fiber
- Air cap: anodized aluminum
- Air cap ring: carbon fiber
- GEO nozzle: stainless steel AISI 303
- Needle - springs: stainless steel AISI 303
- Seal gaskets: self-lubricating and adjustable PTFE (Teflon)



- **Weight: 340 g**
- Operating air pressure: range 0.5 - 2.5 bar / HVLP max 2 bar
- Air consumption: 425 l/min at 2 bar
- Ø nozzle: 1.0 - 1.1 - 1.2 - 1.3 - 1.4 - 1.5 - 1.7 - 1.9

Note:  
add nozzle Ø to Ref. (\*\*)

**Packaging:**



# EGO Carbonio 190

## IDEAL FOR SMART REPAIR AND GRAPHICS

The process of total renewal and innovation of the range was integrated into the EGO, a spray gun dedicated to the refinish and smart repairs body shop.

Thus, EGO CARBONIO was born, forged aluminum core, over-injection body carbon fiber body.

Attention to every small detail, very light, easy to handle and, above all, excellent performance, EGO CARBONIO stands out for its characteristics that make it unique:

- weight, only 190 grams,
  - performance, thanks to the high-precision components machined on 5-axis CNC machining;
  - atomization, with the new anodized "anticorrosive" aluminum cap, designed specifically for a targeted, fine and precise application;
  - strength and durability, obtained thanks to the mix of materials such as stainless steel, aluminum, brass and carbon fiber treated with nanotechnological processes for easier cleaning, and a safe resistance to chemical aggression.
- EGO CARBONIO represents the most sophisticated, from a design and production point of view, at the same time, it's easier and more practical for the painter to use.

A unique spray gun capable of a wide range of application of its kind, in line with the Walcom® philosophy, based on innovation and technology.



Check the correct setup of the spray gun here, or visit [www.walcom.com/solutionfinder](http://www.walcom.com/solutionfinder)

### PAINTING DISTANCE

Between 10 and 15 cm for the HVLP version.  
Between 15 and 20 cm for the HTE version, guarantees improved product layout on painted parts.

### SUITCASE

Rigid plastic suitcase includes: spraygun, air control with gauge, rebuild kit (spring, seals, air valve), cup, wrench tool, mineral lube oil, instruction manual and warranty.



- 1 FAN PATTERN CONTROL**  
From 0 to 5 turns of opening for a micrometric and ideal setting of the fan according to your needs.
- 2 MATERIAL FLOW CONTROL**  
From 0 to 5 opening turns for a micrometric and ideal setting of the product delivery based on the paint and the speed of the operator.
- 3 AIR ADJUSTMENT**  
Completely open for total air flow.
- 4 AIR INLET PRESSURE**  
Usage range 0.5 - 2.5 bar



TYPE

ITEM ID

RECOMMENDED USE

## EGO Carbonio 190 HTE

Cup: POM C 75 - 180 cc

Ref. 7030\*\*

Cup: aluminum 125 cc

Ref. 7035\*\*



- Body: forged aluminum and carbon fiber
- Trigger: carbon fiber
- Air cap: anodized aluminum
- Air cap ring: carbon fiber
- Nozzle: stainless steel AISI 303
- Needle - springs: stainless steel AISI 303
- Seal gaskets: PTFE (Teflon)



• **Weight: 190 g**

- Operating air pressure: range 0.5 - 2 bar / compliant max 2 bar
- Air consumption: 145 l/min at 2 bar
- Ø nozzle: 0.5 - 0.7 - 1.0 - 1.2 - 1.4

**Digital pressure gauge and air control regulator with quick connection sytem, made of carbon fiber. Swiveling connection.**

Note:  
add nozzle Ø to Ref. (\*\*)



## EGO Carbonio 190 HVLP

Cup: POM C 75 - 180 cc

Ref. 7130\*\*

Cup: aluminum 125 cc

Ref. 7135\*\*



- Body: forged aluminum and carbon fiber
- Trigger: carbon fiber
- Air cap: anodized aluminum
- Air cap ring: carbon fiber
- Nozzle: stainless steel AISI 303
- Needle - springs: stainless steel AISI 303
- Seal gaskets: PTFE (Teflon)



• **Weight: 190 g**

- Operating air pressure: range 0.5 - 2 bar / HVLP max 2 bar
- Air consumption: 160 l/min at 2 bar
- Ø nozzle: 0.5 - 0.7 - 1.0 - 1.2 - 1.4

**Digital pressure gauge and air control regulator with quick connection sytem, made of carbon fiber. Swiveling connection.**

Note:  
add nozzle Ø to Ref. (\*\*)





# GENESI Top Line

In 2006, Walcom® presented the GENESI first version, a finishing spray gun that offered the automotive industry a new, more reliable, more efficient, more qualitative and ecological way of working.

Quite a few years have passed since that time and these great characteristics of GENESI, allowed Walcom® not only to establish itself in the professional painting international industry but also gave the spark to new projects linked to high quality spray guns.

The last version called Top Line remains a point of reference in the painting scenario, for its versatility, reliability and quality that mark its performances. Made with top quality raw materials, respecting the manufacturing tradition of aluminum, brass, stainless steel, GENESI Top Line is a spray gun that keeps on having many evaluators, who make it a strong and deeply present name in this industry, which is constantly looking for something innovative.

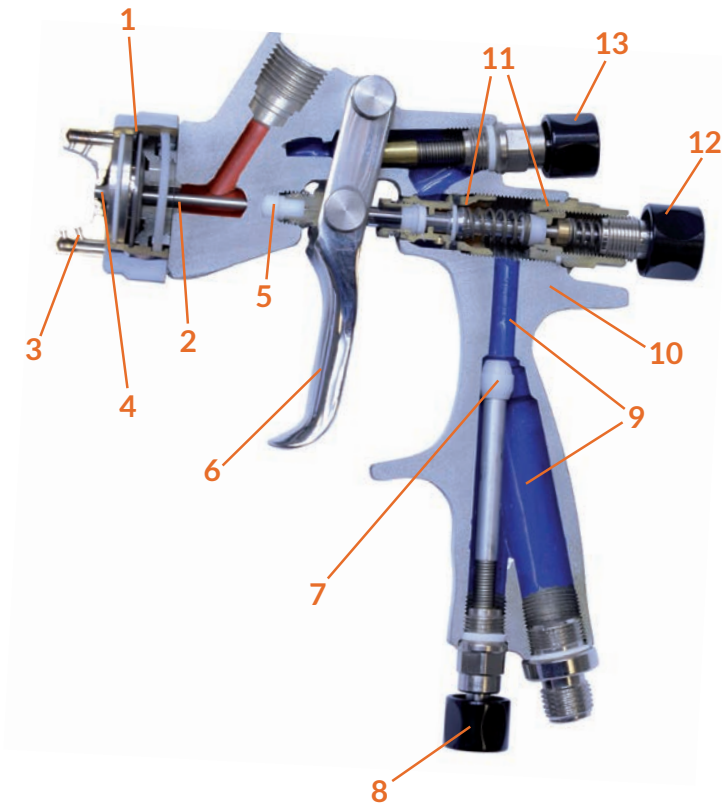
GENESI Top Line, thanks to its accurate polishing and chromed finishing, combines a refined esthetic and a high resistance to the aggression of solvents and pickling, other than allowing a fast and easy cleaning.

A product with great quality and substance, approved by the technical centers of painting manufacturers and professional painters.



## GENESI Top Line: product and specifications section

The spray gun is constructed with an air valve and needle on a single axis to provide higher performance and greater maintenance simplicity.



- 1 Chrome plated brass nut.
- 2 Stainless steel needle.
- 3 Chemical nickel plated brass cap.
- 4 Stainless steel nozzle with mechanical seal.
- 5 Adjustable needle stuffing box.
- 6 Polished stainless steel ergonomic lever.
- 7 Air flow regulator with acetyl shutter for perfect adjustment. Resistant to all solvents.
- 8 Knob for air flow adjustments.
- 9 Calibrated air passages.
- 10 Polished and chrome-plated forged aluminum body for total protection.
- 11 Brass valve for maximum reliability and PTFE (Teflon) gaskets resistant to all water and solvent based paints.
- 12 Product opening adjustment knob with reference tags.
- 13 Fan adjustment knob with reference numbers.



- 1 **BODY:**  
Polished chrome-plated forged aluminum, resistant to the most aggressive solvents. Air passage calibration is guaranteed by numeric controlled machine processing.
- 2 **NOZZLE:**  
New 12 distribution hole stainless steel nozzle in three versions GEO, HTE and HVLP, to guarantee constant air flow volume to, the cap; easy to remove for cleaning and controls, thanks to the supplied allen key.
- 3 **"Top" AIR CAP:**  
Chemical nickel-plated brass, ideal for water-based, solvent and UHS transparent paints. Renewed hole design, inclinations and dynamic flows guarantee the top level of performance and reliability.
- 4 **NEEDLE:**  
CNC processed stainless steel for maximum durability and guaranteed precision in nozzle alignment.

# Genesi Top Line HTE-HVLP-GEO

Genesi Top Line is available in three versions: **HTE**, **HVLP** and **GEO**.

**HTE** is the high transfer efficiency solution, ideal for waterborne and solvent base coats application as well as MS, HS and UHS.

Setting the spraygun between 2 bar and 2.2 bar allows to handle both base and clear coats.

The 1.2 - 1.4 bar air cap pressure guarantees an excellent atomizing result. Low air consumption, high transfer efficiency (> 65%), easy maintenance and corrosion and chemical resistance are qualities that makes this spraygun reliable, practical and performing.

**HVLP** is the ideal solution for waterborne and solvent based coats..

The HVLP system, 0.7 bar air cap pressure guarantees color matches and over 65% transfer efficiency.

This model works at 2 bar air pressure inlet.

It's a reliable and practical tool, easy to maintain, resistant to corrosion and chemical liquids.

**GEO** available also for the GENESI Top Line is series is our double atomizing system, a step ahead any HVLP spraygun in the market thanks to the patented nozzle with the pre atomization 6 holes.

It's HVLP and works at 0.7 bar air cap pressure with a 2 bar inlet pressure.

Low air consumption, for a solid and resistant spray gun.

## PAINTING DISTANCE

Between 10 and 15 cm for GEO and HVLP, between 15 and 20 cm for HTE, guarantees improved product layout on painted parts.

## SUITCASE

Rigid plastic suitcase includes: spraygun, air control with gauge, rebuild kit (spring, seals, air valve), cup, wrench tool, mineral lube oil, instruction manual and warranty.



- 1 GEO NOZZLE**  
Double atomization patented nozzle that provides high performance levels even when working in low pressure (0.7 bar) with UHS transparent.
- 2 AIR ADJUSTMENT**  
Completely open for total air flow.
- 3 AIR INLET PRESSURE**  
2 bar for opaque base (H<sub>2</sub>O and solvent); transparent and pastel MS-HS-UHS.
- 4 FAN PATTERN CONTROL**  
Completely open for ideal paint atomization.
- 5 MATERIAL FLOW CONTROL**  
From 3 to 3.5 turns. Subjective value and therefore modifiable according to the user's habits.

TYPE

ITEM ID

RECOMMENDED USE

## Genesi S HTE

Cup: POM C 680 cc

Ref. 9530\*\*

Cup: aluminum 750 cc

Ref. 9535\*\*

- Body: forged and chrome-plated aluminum
- Top air cap: chemical nickel-plated brass
- Nozzle: AISI 303 stainless steel
- Needle-spring: stainless steel
- Seal: self-lubricating and adjustable PTFE (Teflon)
- Weight: 565 g
- Operating air pressure: 2 - 2.5 bar
- Air consumption: 300 - 340 l/min
- Ø nozzle: 1.0 - 1.2 - 1.3 - 1.4 - 1.7 - 1.9

Top air inlet pressure regulator with pressure gauge



BASE COAT  
CLEAR COAT

Note:  
add nozzle Ø to Ref. (\*\*)



## Genesi I HTE

Camlock suction cup: aluminum 1000 cc

Ref. 9540\*\*

- Body: forged and chrome-plated aluminum
- Top air cap: chemical nickel-plated brass
- Nozzle: AISI 303 stainless steel
- Needle-spring: stainless steel
- Seal gaskets: self-lubricating and adjustable PTFE (Teflon)
- Weight: 605 g
- Operating air pressure: 2 - 2.5 bar
- Air consumption: 300 - 340 l/min.
- Ø nozzle: 1.0 - 1.2 - 1.3 - 1.4 - 1.7 - 1.9

Top air inlet pressure regulator with pressure gauge



BASE COAT  
CLEAR COAT

Note:  
add nozzle Ø to Ref. (\*\*)



## Genesi SP HTE

To be used through pressurized containers, low pressure pumps  
Product inlet M1/4"

Ref. 9550\*\*

- Body: forged and chrome-plated aluminum
- Top air cap: chemical nickel-plated brass
- Nozzle: AISI 303 stainless steel
- Needle-spring: stainless steel
- Seal gaskets: self-lubricating and adjustable PTFE (Teflon)
- Weight: 605 g
- Operating air pressure: 2 - 2.5 bar
- Air consumption: 300 - 340 l/min.
- Ø nozzle: 1.0 - 1.2 - 1.3 - 1.4 - 1.7 - 1.9

Top air inlet pressure regulator with pressure gauge



BASE COAT  
CLEAR COAT

Note:  
add nozzle Ø to Ref. (\*\*)



TYPE

ITEM ID

RECOMMENDED USE

## Genesi S HVLP

Cup: POM C 680 cc

Ref. 9430\*\*

Cup: aluminum 750 cc

Ref. 9435\*\*

- Body: forged and chrome-plated aluminum
- Top air cap: chemical nickel-plated brass
- Nozzle: AISI 303 stainless steel
- Needle-spring: stainless steel
- Seal gaskets: self-lubricating and adjustable PTFE (Teflon)
- Weight: 565 g
- Operating air pressure: 2 - 2.5 bar
- Air consumption: 310 - 350 l/min
- Ø nozzle: 1.0 - 1.2 - 1.3 - 1.4 - 1.7 - 1.9

Top air inlet pressure regulator with pressure gauge



BASE COAT

Note:  
add nozzle Ø to Ref. (\*\*)



## Genesi I HVLP

Camlock suction cup: aluminum 1000 cc

Ref. 9440\*\*

- Body: forged and chrome-plated aluminum
- Top air cap: chemical nickel-plated brass
- Nozzle: AISI 303 stainless steel
- Needle-spring: stainless steel
- Seal gaskets: self-lubricating and adjustable PTFE (Teflon)
- Weight: 605 g
- Operating air pressure: 2 - 2.5 bar
- Air consumption: 310 - 350 l/min.
- Ø nozzle: 1.0 - 1.2 - 1.3 - 1.4 - 1.7 - 1.9

Top air inlet pressure regulator with pressure gauge



BASE COAT

Note:  
add nozzle Ø to Ref. (\*\*)



## Genesi SP HVLP

To be used through pressurized containers, low pressure pumps  
Product inlet M1/4"

Ref. 9450\*\*

- Body: forged and chrome-plated aluminum
- Top air cap: chemical nickel-plated brass
- Nozzle: AISI 303 stainless steel
- Needle-spring: stainless steel
- Seal gaskets: self-lubricating and adjustable PTFE (Teflon)
- Weight: 605 g
- Operating air pressure: 2 - 2.5 bar
- Air consumption: 310 - 350 l/min.
- Ø nozzle: 1.0 - 1.2 - 1.3 - 1.4 - 1.7 - 1.9

Top air inlet pressure regulator with pressure gauge



BASE COAT

Note:  
add nozzle Ø to Ref. (\*\*)



TYPE

ITEM ID

RECOMMENDED USE

## Genesi S GEO

Cup: POM C 680 cc

Ref. 9330\*\*

Cup: aluminum 750 cc

Ref. 9335\*\*

- Body: forged and chrome-plated aluminum
- Top air cap: chemical nickel-plated brass
- GEO Nozzle: AISI 303 stainless steel
- Needle-spring: stainless steel
- Seal gaskets: self-lubricating and adjustable PTFE (Teflon)
- Weight: 560 g
- Operating air pressure: 2 - 2.5 bar
- Air consumption: 320 - 360 l/min.
- Ø nozzle: 1.0 - 1.3 - 1.5 - 1.7 - 1.9

**Top air inlet pressure regulator with pressure gauge**



BASE COAT

Note:  
add nozzle Ø to Ref. (\*\*)



## Genesi I GEO

Camlock suction cup: aluminum 1000 cc

Ref. 9340\*\*

- Body: forged and chrome-plated aluminum
- Top air cap: chemical nickel-plated brass
- GEO Nozzle: AISI 303 stainless steel
- Needle-spring: stainless steel
- Seal gaskets: self-lubricating and adjustable PTFE (Teflon)
- Weight: 600 g
- Operating air pressure: 2 - 2.5 bar
- Air consumption: 320 - 360 l/min.
- Ø nozzle: 1.0 - 1.3 - 1.5 - 1.7 - 1.9

**TOP air inlet pressure regulator with pressure gauge**



BASE COAT

Note:  
add nozzle Ø to Ref. (\*\*)



## Genesi SP GEO

To be used through pressurized containers, low pressure pumps  
Product inlet M1/4"

Ref. 9350\*\*

- Body: forged and chrome-plated aluminum
- Top air cap: chemical nickel-plated brass
- GEO Nozzle: AISI 303 stainless steel
- Needle-spring: stainless steel
- Seal gaskets: self-lubricating and adjustable PTFE (Teflon)
- Weight: 600 g
- Operating air pressure: 2 - 2.5 bar
- Air consumption: 320 - 360 l/min.
- Ø nozzle: 1.0 - 1.3 - 1.5 - 1.7 - 1.9

**Top air inlet pressure regulator with pressure gauge**



BASE COAT

Note:  
add nozzle Ø to Ref. (\*\*)



# Slim KOMBAT - Slim XLIGHT - Slim

## IDEAL FOR PRIMERS AND FINISHES IN BODYSHOPS AND INDUSTRIAL PAINTING

Slim has been synonymous with quality, reliability and versatility for over a decade, appreciated throughout the world of painting: from car refinishing to industry, to carpentry.

Today Slim is joined by Slim KOMBAT, a new, unique and revolutionary version of the spray gun that made Walcom® history. Slim KOMBAT abandons the classic aluminum body and comes with an innovative magnesium body, over-injected in Kevlar® fiber (PAT. PENDING).

The lightness of magnesium, combined with the compactness and strength of Kevlar®, give life to a spray gun at only 345 g, also improved in performance, thanks to the new bodies and more powerful and concentrated air flows that allow better atomization of the product.

The characteristics of Kevlar® make this spray gun absolutely resistant to the aggressions of any type of solvent and chemical agent.

The surface characteristics also make it extremely easy to clean.

Slim KOMBAT is available in 3 versions: HVLP, HTE, HTE SR, which are united by the low air consumption (220-260 l/min), the high transfer efficiency (higher than 80% for the bottoms and 70% for bases and clear coats) and for the quality of product spreading and atomization.

The latest addition to the family, the Slim XLIGHT combines the reliability of the historic Slim model with new technical/technological solutions that make it more attractive, light, reliable and performing.

Matt nickel plating and laser engraving, lever and cap ring in composite material, new nozzle and flow channels give the spray gun:

- ease of cleaning and durability,
- weight of 455 g,
- fan and atomization of the highest level,
- better transfer efficiency.

These improved characteristics, combined with the consolidated one of the traditional SLIM, i.e. the reduced air consumption, the sturdiness and the performance reliability, make SLIM XLIGHT the new reference spray gun for painting in bodywork and industry, suitable for all types of varnish, from the bottom to the bases to the transparent.



Check the correct setup of the spray gun here, or visit [www.walcom.com/solutionfinder](http://www.walcom.com/solutionfinder)

### PAINTING DISTANCE

Between 10 and 15 cm for HVLP, between 15 and 20 cm for HTE, guarantees improved product layout on painted parts.

### BOX

Cardboard box packaging includes: sprayguns, rebuild kit (spring, seals, air valve) wrench tool, mineral lube oil, instruction manual and warranty.

### SUITCASE

Rigid plastic suitcase includes: spraygun, air control with gauge, rebuild kit (spring, seals, air valve), cup, wrench tool, mineral lube oil, instruction manual and warranty.

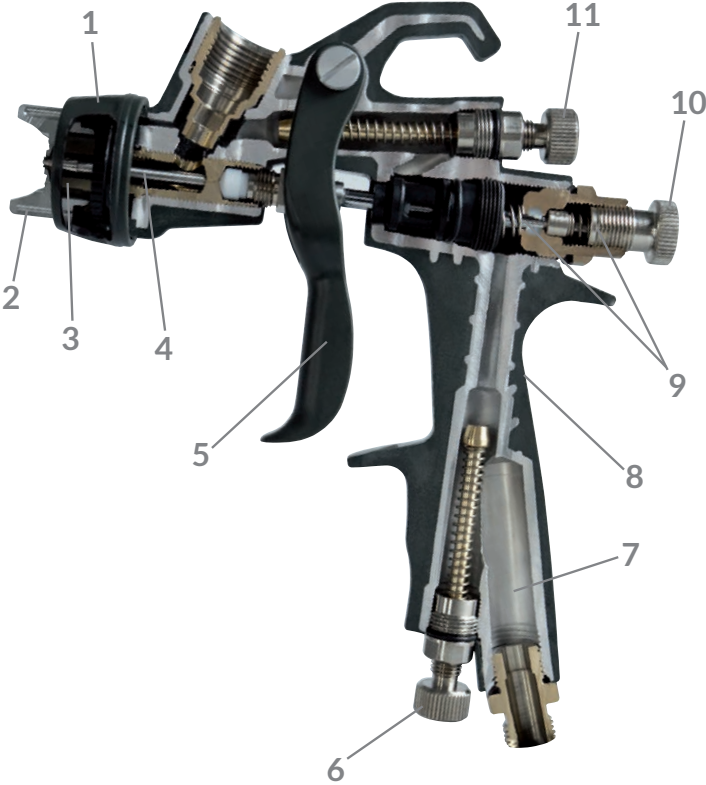


- 1 AIR ADJUSTMENT**  
Completely open for total air flow.
- 2 AIR INLET PRESSURE**  
Usage range 0.5 - 2.5 bar.
- 3 FAN PATTERN CONTROL**  
From 0 to 5 turns of opening for a micrometric and ideal setting of the fan according to your needs.
- 4 MATERIAL FLOW CONTROL**  
From 0 to 5 opening turns for a micrometric and ideal setting of the product delivery based on the paint and the speed of the operator.



# SLIM KOMBAT: product and specifications section

The spray gun is constructed with an air valve and needle on a single axis to provide higher performance and greater maintenance simplicity.



- 1 Kevlar fiber nut.
- 2 Anodized aluminum air cap.
- 3 Stainless steel nozzle.
- 4 Stainless steel needle.
- 5 Kevlar fiber lever.
- 6 Air flow regulation knob.
- 7 Calibrated air passages.
- 8 Magnesium and Kevlar fiber body.
- 9 Polished and chrome-plated aluminum body for total protection/ PTFE (Teflon) gaskets and valve, resistant to all water and solvent based paints with automatic adjustment system.
- 10 Product opening knob.
- 11 Fan adjustment knob.

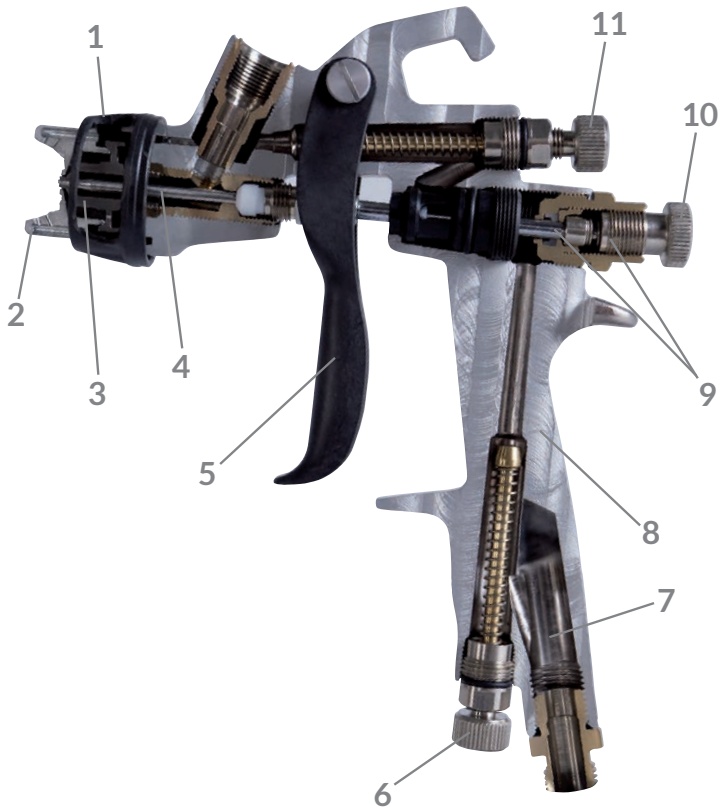


- 1 **BODY:**  
Die-casting magnesium over-injected kevlar fiber.
- 2 **NOZZLE:**  
Monobloc stainless steel unit.  
The holes for diffusion provide a constant and high volume air flow to the cap.
- 3 **AIR CAP:**  
Anodize aluminum. Light and precise, it offers and guarantees performance over time.  
The particular Anticorodal alloy guarantees resistance to any type of paint, solvent and pickling agent.
- 4 **NEEDLE:**  
CNC processed stainless steel for maximum durability and guaranteed precision in nozzle alignment.



## SLIM XLIGHT: product and specifications section

The spray gun is constructed with an air valve and needle on a single axis to provide higher performance and greater maintenance simplicity.



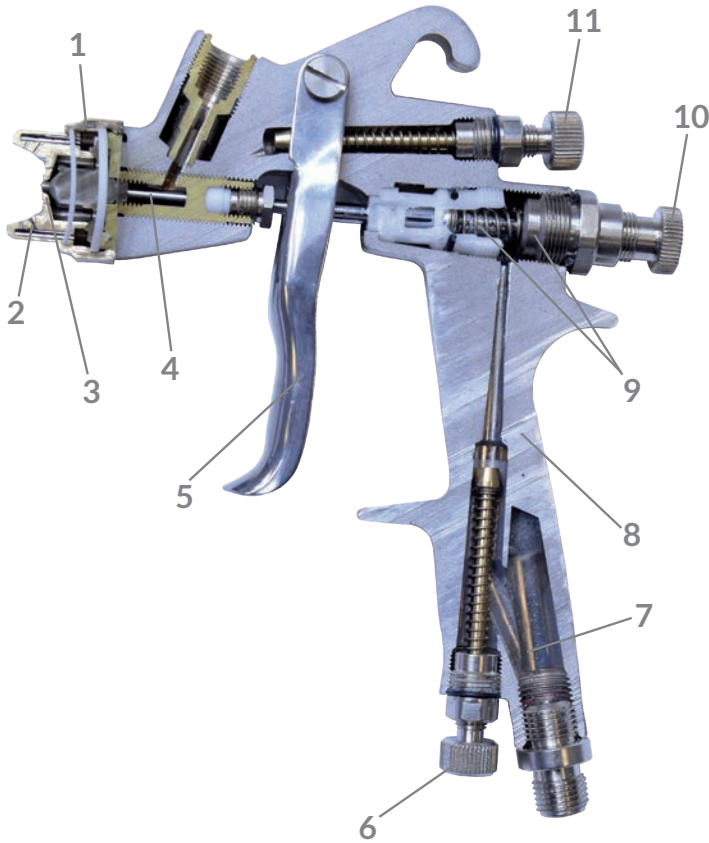
- 1 Ring glass-reinforced PPA.
- 2 Anodized aluminum air cap.
- 3 Stainless steel nozzle.
- 4 Stainless steel needle.
- 5 Ergonomic lever in glassreinforced PPA.
- 6 Knob for adjusting the air flow.
- 7 Calibrated air passages.
- 8 Chemically opaque nickel-plated aluminum body with laser engraving.
- 9 Gaskets and air valve in PTFE (Teflon) resistant to all paints and solvents.
- 10 Product adjusting knob.
- 11 Fan adjustin knob.



- 1 **BODY:**  
Chemically nickel-plated mate aluminum with laser engraving. This treatment makes it resistant to solvents.
- 2 **NOZZLE:**  
Monobloc in stainless steel. The diffusion holes allow a constant and high volume of air to the cap.
- 3 **AIR CAP:**  
Anodized aluminum. Light and precise, it offers and guarantees performance over time. The particular Anticorodal alloy guarantees resistance to any type of paint, solvent and thinner.
- 4 **NEEDLE:**  
CNC-machined stainless steel for maximum durability and precision in alignment with the nozzle.

## SLIM: product and specifications section

The spray gun is constructed with an air valve and needle on a single axis to provide higher performance and greater maintenance simplicity.



- 1 Chrome plated brass nut.
- 2 Chemical nickel-plated brass cap.
- 3 Stainless steel nozzle.
- 4 Stainless steel needle.
- 5 Polished stainless steel ergonomic lever.
- 6 Air flow regulation knob.
- 7 Calibrated air passages.
- 8 Polished and chrome-plated aluminum body for total protection.
- 9 PTFE (Teflon) gaskets and valve, resistant to all water and solvent based paints with automatic adjustment system.
- 10 Product opening knob.
- 11 Fan adjustment knob.



- 1 **BODY:**  
Chemical nickel plated and polished aluminum. Finishing treatments make it resistant to solvents. The particular slim shape makes the spray gun ergonomic and easy to use.
- 2 **NOZZLE:**  
Monobloc stainless steel unit. The holes for diffusion provide a constant and high volume air flow to the cap.
- 3 **AIR CAP:**  
Chemical nickel-plated brass guarantees precision and maximum durability. The processing precision of this material provides constant and high level atomization levels.
- 4 **NEEDLE:**  
CNC processed stainless steel for maximum durability and guaranteed precision in nozzle alignment.

TYPE

ITEM ID

RECOMMENDED USE

## Slim KOMBAT HTE

Cup: POM C 680 cc

Ref. 8030\*\*

Cup: aluminum 750 cc

Ref. 8035\*\*

- Body: die-casting magnesium and Kevlar fiber
- Trigger: Kevlar fiber
- Air cap: anodized aluminum
- Air cap ring: Kevlar fiber
- Nozzle: AISI 303 stainless steel
- Needle-spring: stainless steel
- Seal gaskets: self-lubricating and adjustable PTFE (Teflon)
- **Weight: 345 g**
- Operating air pressure: range 0.5 - 2.5 bar / recommended at 2 bar
- Air consumption: 265 l/min at 2 bar
- Ø nozzle: 1.0 - 1.1 - 1.2 - 1.3 - 1.4 - 1.5 - 1.7 - 1.8 - 1.9 - 2.2 - 2.5

**Air inlet pressure regulator with pressure gauge**



BASE COAT  
CLEAR COAT  
PRIMER

Note:  
add a Ø to Ref. (\*\*)

**Packaging:**



## Slim KOMBAT I HTE

Bayonet suction cup: aluminum 1000 cc

Ref. 8070\*\*

- Body: die-casting magnesium and Kevlar fiber
- Trigger: Kevlar fiber
- Air cap: anodized aluminum
- Air cap ring: Kevlar fiber
- Nozzle: AISI 303 stainless steel
- Needle-spring: stainless steel
- Seal gaskets: self-lubricating and adjustable PTFE (Teflon)
- **Weight: 345 g**
- Operating air pressure: range 0.5 - 2.5 bar / recommended at 2 bar
- Air consumption: 265 l/min at 2 bar
- Ø nozzle: 1.3 - 1.4 - 1.5 - 1.7 - 1.8 - 1.9 - 2.2

**Air inlet pressure regulator with pressure gauge**



BASE COAT  
CLEAR COAT  
PRIMER

Note:  
add a Ø to Ref. (\*\*)

**Packaging:**



## Slim KOMBAT SP HTE

To be used through pressurized containers. low pressure pumps

Product inlet M1/4"

Ref. 8080\*\*

Product inlet M3/8"

Ref. 8080\*\*-3/8

- Body: die-casting magnesium and Kevlar fiber
- Trigger: Kevlar fiber
- Air cap: anodized aluminum
- Air cap ring: Kevlar fiber
- Nozzle: AISI 303 stainless steel
- Needle-spring: stainless steel
- Seal gaskets: self-lubricating and adjustable PTFE (Teflon)
- **Weight: 345 g**
- Operating air pressure: range 0.5 - 2.5 bar / recommended at 2 bar
- Air consumption: 265 l/min at 2 bar
- Ø nozzle: 1.0 - 1.1 - 1.2 - 1.3 - 1.4 - 1.5 - 1.7 - 1.8 - 1.9 - 2.2

**Air inlet pressure regulator with pressure gauge**



BASE COAT  
CLEAR COAT  
PRIMER

Note:  
add a Ø to Ref. (\*\*)

**Packaging:**



TYPE

ITEM ID

RECOMMENDED USE

## Slim KOMBAT HTE SR

Cup: POM C 680 cc

Ref. 8020\*\*

Cup: aluminum 750 cc

Ref. 8025\*\*

- Body: die-casting magnesium and Kevlar fiber
- Trigger: Kevlar fiber
- Air cap: anodized aluminum
- Air cap ring: Kevlar fiber
- Nozzle: AISI 303 stainless steel
- Needle-spring: stainless steel
- Seal gaskets: self-lubricating and adjustable PTFE (Teflon)
- **Weight: 345 g**
- Operating air pressure: range 0.5 - 2.5 bar / recommended at 2 bar
- Air consumption: 265 l/min at 2 bar
- Ø nozzle: 1.0 - 1.1 - 1.2 - 1.3 - 1.4 - 1.5 - 1.7 - 1.8 - 1.9 - 2.2 - 2.5



BASE COAT  
CLEAR COAT  
PRIMER

Note:  
add a Ø to Ref. (\*\*)

**Packaging:**



## Slim KOMBAT I HTE SR

Bayonet suction cup: aluminum 1000 cc

Ref. 8072\*\*

- Body: die-casting magnesium and Kevlar fiber
- Trigger: Kevlar fiber
- Air cap: anodized aluminum
- Air cap ring: Kevlar fiber
- Nozzle: AISI 303 stainless steel
- Needle-spring: stainless steel
- Seal gaskets: self-lubricating and adjustable PTFE (Teflon)
- **Weight: 345 g**
- Operating air pressure: range 0.5 - 2.5 bar / recommended at 2 bar
- Air consumption: 265 l/min at 2 bar
- Ø nozzle: 1.3 - 1.4 - 1.5 - 1.7 - 1.8 - 1.9 - 2.2



BASE COAT  
CLEAR COAT  
PRIMER

Note:  
add a Ø to Ref. (\*\*)

**Packaging:**



## Slim KOMBAT SP HTE SR

To be used through pressurized containers, low pressure pumps

Product inlet M1/4"

Ref. 8081\*\*

Product inlet M3/8"

Ref. 8081\*\*-3/8

- Body: die-casting magnesium and Kevlar fiber
- Trigger: Kevlar fiber
- Air cap: anodized aluminum
- Air cap ring: Kevlar fiber
- Nozzle: AISI 303 stainless steel
- Needle-spring: stainless steel
- Seal gaskets: self-lubricating and adjustable PTFE (Teflon)
- **Weight: 345 g**
- Operating air pressure: range 0.5 - 2.5 bar / recommended at 2 bar
- Air consumption: 265 l/min at 2 bar
- Ø nozzle: 1.0 - 1.1 - 1.2 - 1.3 - 1.4 - 1.5 - 1.7 - 1.8 - 1.9 - 2.2



BASE COAT  
CLEAR COAT  
PRIMER

Note:  
add a Ø to Ref. (\*\*)

**Packaging:**



TYPE

ITEM ID

RECOMMENDED USE

## Slim KOMBAT HVLP

Cup: POM C 680 cc

Ref. 8130\*\*

Cup: aluminum 750 cc

Ref. 8135\*\*

- Body: die-casting magnesium and Kevlar fiber
- Trigger: Kevlar fiber
- Air cap: anodized aluminum
- Air cap ring: Kevlar fiber
- Nozzle: AISI 303 stainless steel
- Needle-spring: stainless steel
- Seal gaskets: self-lubricating and adjustable PTFE (Teflon)
- **Weight: 345 g**
- Operating air pressure: range 0.5 - 2.5 bar / HVLP at 2 bar
- Air consumption: 315 l/min at 2 bar
- Ø nozzle: 1.0 - 1.1 - 1.2 - 1.3 - 1.4 - 1.5 - 1.7 - 1.8 - 1.9 - 2.2 - 2.5

**Air inlet pressure regulator with pressure gauge**



BASE COAT  
CLEAR COAT  
PRIMER

Note:  
add a Ø to Ref. (\*\*)

**Packaging:**



## Slim KOMBAT I HVLP

Bayonet suction cup: aluminum 1000 cc

Ref. 8170\*\*

- Body: die-casting magnesium and Kevlar fiber
- Trigger: Kevlar fiber
- Air cap: anodized aluminum
- Air cap ring: Kevlar fiber
- Nozzle: AISI 303 stainless steel
- Needle-spring: stainless steel
- Seal gaskets: self-lubricating and adjustable PTFE (Teflon)
- **Weight: 345 g**
- Operating air pressure: range 0.5 - 2.5 bar / HVLP at 2 bar
- Air consumption: 315 l/min at 2 bar
- Ø nozzle: 1.3 - 1.4 - 1.5 - 1.7 - 1.8 - 1.9 - 2.2

**Air inlet pressure regulator with pressure gauge**



BASE COAT  
CLEAR COAT  
PRIMER

Note:  
add a Ø to Ref. (\*\*)

**Packaging:**



## Slim KOMBAT SP HVLP

To be used through pressurized containers, low pressure pumps

Product inlet M1/4"

Ref. 8180\*\*

Product inlet M3/8"

Ref. 8180\*\*-3/8

- Body: die-casting magnesium and Kevlar fiber
- Trigger: Kevlar fiber
- Air cap: anodized aluminum
- Air cap ring: Kevlar fiber
- Nozzle: AISI 303 stainless steel
- Needle-spring: stainless steel
- Seal gaskets: self-lubricating and adjustable PTFE (Teflon)
- **Weight: 345 g**
- Operating air pressure: range 0.5 - 2.5 bar / HVLP at 2 bar
- Air consumption: 315 l/min at 2 bar
- Ø nozzle: 1.0 - 1.1 - 1.2 - 1.3 - 1.4 - 1.5 - 1.7 - 1.8 - 1.9 - 2.2 - 2.5

**Air inlet pressure regulator with pressure gauge**



BASE COAT  
CLEAR COAT  
PRIMER

Note:  
add a Ø to Ref. (\*\*)

**Packaging:**



TYPE

ITEM ID

RECOMMENDED USE

## Slim KOMBAT HTE UV

Cup: POM C plastic grey cup anti UV 680 cc

Ref. 8030\*\*/UV

- Body: die-casting magnesium and Kevlar fiber
- Trigger: Kevlar fiber
- Air cap: anodized aluminum
- Air cap ring: Kevlar fiber
- Nozzle: AISI 303 stainless steel
- Needle-spring: stainless steel
- Seal gaskets: self-lubricating and adjustable PTFE (Teflon)
- **Weight: 345 g**
- Operating air pressure: range 0.5 - 2.5 bar / recommended at 2 bar
- Air consumption: 265 l/min at 2 bar
- Ø nozzle: 1.1 - 1.2 - 1.3 - 1.4

**Air inlet pressure regulator with pressure gauge**



BASE COAT  
CLEAR COAT  
PRIMER

Note:  
add a Ø to Ref. (\*\*)

**Packaging:**



## Slim KOMBAT HVLP UV

Cup: POM C plastic grey cup anti UV 680 cc

Ref. 8130\*\*/UV

- Body: die-casting magnesium and Kevlar fiber
- Trigger: Kevlar fiber
- Air cap: anodized aluminum
- Air cap ring: Kevlar fiber
- Nozzle: AISI 303 stainless steel
- Needle-spring: stainless steel
- Seal gaskets: self-lubricating and adjustable PTFE (Teflon)
- **Weight: 345 g**
- Operating air pressure: range 0.5 - 2.5 bar / HVLP at 2 bar
- Air consumption: 315 l/min at 2 bar
- Ø nozzle: 1.1 - 1.2 - 1.3 - 1.4

**Air inlet pressure regulator with pressure gauge**



BASE COAT  
CLEAR COAT  
PRIMER

Note:  
add a Ø to Ref. (\*\*)

**Packaging:**



## Slim KOMBAT HTE/HVLP - spray gun only -

Spray gun only HTE

Ref. 8060\*\*

Spray gun only HVLP

Ref. 8160\*\*

- Body: die-casting magnesium and Kevlar fiber
- Trigger: Kevlar fiber
- Air cap: anodized aluminum
- Air cap ring: Kevlar fiber
- Nozzle: AISI 303 stainless steel
- Needle-spring: stainless steel
- Seal gaskets: self-lubricating and adjustable PTFE (Teflon)
- **Weight: 345 g**
- Operating air pressure HTE: range 0.5 - 2.5 bar / recommended at 2 bar
- Operating air pressure HVLP: range 0.5 - 2.5 bar / HVLP at 2 bar
- Air consumption HTE: 265 l/min at 2 bar
- Air consumption HVLP: 315 l/min at 2 bar
- Ø nozzle: 1.0 - 1.1 - 1.2 - 1.3 - 1.4 - 1.5 - 1.7 - 1.8 - 1.9 - 2.2 - 2.5

**Air inlet pressure regulator with pressure gauge**



BASE COAT  
CLEAR COAT  
PRIMER

Note:  
add a Ø to Ref. (\*\*)

**Packaging:**



TYPE

ITEM ID

RECOMMENDED USE

## Slim XLIGHT S HTE

Cup: POM C 680 cc

Ref. 8230\*\*

Cup: aluminum 750 cc

Ref. 8235\*\*

- Body: chemically nikked aluminum - matte finishing
- Trigger: PPA & fiber glass
- Air cap: "anticorodal" anodized aluminum
- Aircap ring: PPA & fiber glass
- Nozzle: AISI 303 stainless steel
- Needle-spring: stainless steel
- Seal gaskets: PTFE (Teflon)
- Weight: 455 g
- Operating air pressure: range 0.5 - 2.5 bar / recommended at 2 bar
- Air consumption: 260 l/min at 2 bar
- Ø nozzle: 1.0 - 1.1 - 1.2 - 1.3 - 1.4 - 1.5 - 1.7 - 1.8 - 1.9 - 2.2 - 2.5

**Air inlet pressure regulator with pressure gauge**



BASE COAT  
CLEAR COAT  
PRIMER

Note:  
add a Ø to Ref. (\*\*)



## Slim XLIGHT I HTE

Bayonet suction cup: aluminum 1000 cc

Ref. 8270\*\*

- Body: chemically nikked aluminum - matte finishing
- Trigger: PPA & fiber glass
- Air cap: "anticorodal" anodized aluminum
- Aircap ring: PPA & fiber glass
- Nozzle: AISI 303 stainless steel
- Needle-spring: stainless steel
- Seal gaskets: PTFE (Teflon)
- Weight: 463 g
- Operating air pressure: range 0.5 - 2.5 bar / recommended at 2 bar
- Air consumption: 260 l/min at 2 bar
- Ø nozzle: 1.3 - 1.4 - 1.5 - 1.7 - 1.8 - 1.9 - 2.2

**Air inlet pressure regulator with pressure gauge**



BASE COAT  
CLEAR COAT  
PRIMER

Note:  
add a Ø to Ref. (\*\*)



## Slim XLIGHT SP HTE

To be used through pressurized containers, low pressure pumps

Product inlet M1/4"

Ref. 8280\*\*

Product inlet M3/8"

Ref. 8280\*\*-3/8

- Body: chemically nikked aluminum - matte finishing
- Trigger: PPA & fiber glass
- Air cap: "anticorodal" anodized aluminum
- Aircap ring: PPA & fiber glass
- Nozzle: AISI 303 stainless steel
- Needle-spring: stainless steel
- Seal gaskets: PTFE (Teflon)
- Weight: 463 g
- Operating air pressure: range 0.5 - 2.5 bar / recommended at 2 bar
- Air consumption: 260 l/min at 2 bar
- Ø nozzle: 1.0 - 1.1 - 1.2 - 1.3 - 1.4 - 1.5 - 1.7 - 1.8 - 1.9

**Air inlet pressure regulator with pressure gauge**



BASE COAT  
CLEAR COAT  
PRIMER

Note:  
add a Ø to Ref. (\*\*)



TYPE

ITEM ID

RECOMMENDED USE

## Slim XLIGHT S HTE SR

Cup: POM C 680 cc

Ref. 8220\*\*

Cup: aluminum 750 cc

Ref. 8225\*\*

- Body: chemically nickeled aluminum - matte finishing
- Trigger: PPA & fiber glass
- Air cap: "anticorodal" anodized aluminum
- Aircap ring: PPA & fiber glass
- Nozzle: AISI 303 stainless steel
- Needle-spring: stainless steel
- Seal gaskets: PTFE (Teflon)
- Weight: 455 g
- Operating air pressure: range 0.5 - 2.5 bar / recommended at 2 bar
- Air consumption: 260 l/min a 2 bar
- Ø nozzle: 1.0 - 1.1 - 1.2 - 1.3 - 1.4 - 1.5 - 1.7 - 1.8 - 1.9 - 2.2 - 2.5



BASE COAT  
CLEAR COAT  
PRIMER

Note:  
add a Ø to Ref. (\*\*)



## Slim XLIGHT I HTE SR

Bayonet suction cup: aluminum 1000 cc

Ref. 8272\*\*

- Body: chemically nickeled aluminum - matte finishing
- Trigger: PPA & fiber glass
- Air cap: "anticorodal" anodized aluminum
- Aircap ring: PPA & fiber glass
- Nozzle: AISI 303 stainless steel
- Needle-spring: stainless steel
- Seal gaskets: PTFE (Teflon)
- Weight: 463 g
- Operating air pressure: range 0.5 - 2.5 bar / recommended at 2 bar
- Air consumption: 260 l/min a 2 bar
- Ø nozzle: 1.3 - 1.4 - 1.5 - 1.7 - 1.8 - 1.9 - 2.2



BASE COAT  
CLEAR COAT  
PRIMER

Note:  
add a Ø to Ref. (\*\*)



## Slim XLIGHT SP HTE SR

To be used through pressurized containers, low pressure pumps

Product inlet M1/4"

Ref. 8281\*\*

Product inlet M3/8"

Ref. 8281\*\*-3/8

- Body: chemically nickeled aluminum - matte finishing
- Trigger: PPA & fiber glass
- Air cap: "anticorodal" anodized aluminum
- Aircap ring: PPA & fiber glass
- Nozzle: AISI 303 stainless steel
- Needle-spring: stainless steel
- Seal gaskets: PTFE (Teflon)
- Weight: 463 g
- Operating air pressure: range 0.5 - 2.5 bar / recommended at 2 bar
- Air consumption: 260 l/min a 2 bar
- Ø nozzle: 1.0 - 1.1 - 1.2 - 1.3 - 1.4 - 1.5 - 1.7 - 1.8 - 1.9



BASE COAT  
CLEAR COAT  
PRIMER

Note:  
add a Ø to Ref. (\*\*)





TYPE

ITEM ID

RECOMMENDED USE

## Slim XLIGHT S HVLP

Cup: POM C 680 cc

Ref. 8330\*\*

Cup: aluminum 750 cc

Ref. 8335\*\*

- Body: chemically nickeled aluminum - matte finishing
- Trigger: PPA & fiber glass
- Air cap: "anticorodal" anodized aluminum
- Aircap ring: PPA & fiber glass
- Nozzle: AISI 303 stainless steel
- Needle-spring: stainless steel
- Seal gaskets: PTFE (Teflon)
- Weight: 455 g
- Operating air pressure: range 0.5 - 2.5 bar / HVLP at 2 bar
- Air consumption: 295 l/min a 2 bar
- Ø nozzle: 1.0 - 1.1 - 1.2 - 1.3 - 1.4 - 1.5 - 1.7 - 1.8 - 1.9 - 2.2 - 2.5

**Air inlet pressure regulator with pressure gauge**



BASE COAT  
CLEAR COAT  
PRIMER

Note:  
add a Ø to Ref. (\*\*)



## Slim XLIGHT I HVLP

Bayonet suction cup: aluminum 1000 cc

Ref. 8370\*\*

- Body: chemically nickeled aluminum - matte finishing
- Trigger: PPA & fiber glass
- Air cap: "anticorodal" anodized aluminum
- Aircap ring: PPA & fiber glass
- Nozzle: AISI 303 stainless steel
- Needle-spring: stainless steel
- Seal gaskets: PTFE (Teflon)
- Weight: 463 g
- Operating air pressure: range 0.5 - 2.5 bar / HVLP at 2 bar
- Air consumption: 295 l/min at 2 bar
- Ø nozzle: 1.3 - 1.4 - 1.5 - 1.7 - 1.8 - 1.9 - 2.2

**Air inlet pressure regulator with pressure gauge**



BASE COAT  
CLEAR COAT  
PRIMER

Note:  
add a Ø to Ref. (\*\*)



## Slim XLIGHT SP HVLP

To be used through pressurized containers, low pressure pumps

Product inlet M1/4"

Ref. 8380\*\*

Product inlet M3/8"

Ref. 8380\*\*-3/8

- Body: chemically nickeled aluminum - matte finishing
- Trigger: PPA & fiber glass
- Air cap: "anticorodal" anodized aluminum
- Aircap ring: PPA & fiber glass
- Nozzle: AISI 303 stainless steel
- Needle-spring: stainless steel
- Seal gaskets: PTFE (Teflon)
- Weight: 463 g
- Operating air pressure: range 0.5 - 2.5 bar / HVLP at 2 bar
- Air consumption: 295 l/min at 2 bar
- Ø nozzle: 1.0 - 1.1 - 1.2 - 1.3 - 1.4 - 1.5 - 1.7 - 1.8 - 1.9

**Air inlet pressure regulator with pressure gauge**



BASE COAT  
CLEAR COAT  
PRIMER

Note:  
add a Ø to Ref. (\*\*)



TYPE

ITEM ID

RECOMMENDED USE

## Slim XLIGHT HTE HD

Pressurised gravity cup POM C 680 cc

Ref. 8240\*\*

- Pressurised gravity cup (M 1/4" product inlet): for high density products such as latex, polyurethane, gel coat, tixotropic products in the wood and industrial sectors
- Body: chemically nicked aluminum - matte finishing
- Trigger: PPA & fiber glass
- Air cap: "anticorodal" anodized aluminum
- Aircap ring: PPA & fiber glass
- Nozzle: AISI 303 stainless steel
- Needle-spring: stainless steel
- Seal gaskets: PTFE (Teflon)
- Weight: 535 g
- Operating air pressure: 210 - 260 l/min
- Ø nozzle: 1.3 - 1.5 - 1.7 - 1.9 - 2.2

**Double spray gun air inlet pressure regulator and pressurised cup with pressure gauge**



Note:  
add a Ø to Ref. (\*\*)



TYPE

ITEM ID

RECOMMENDED USE

## Slim S HTE

Cup: POM C 680 cc

Ref. 10068\*\*

Cup: aluminum 750 cc

Ref. 10069\*\*

- Body: chemical nickel-plated polished aluminum
- Air cap: chemical nickel-plated brass
- Nozzle: AISI 303 stainless steel
- Needle-spring: stainless steel
- Seal gaskets: self-lubricating and adjustable PTFE (Teflon)
- Weight: 535 g
- Operating air pressure: 2 - 2.5 bar
- Air consumption: 255 l/min at 2 bar
- Ø nozzle: 1.0 - 1.2 - 1.3 - 1.5 - 1.7 - 1.9 - 2.2 - 2.5

**Air inlet pressure regulator with pressure gauge**



BASE COAT  
CLEAR COAT  
PRIMER

Note:  
add a Ø to Ref. (\*\*)



## Slim I HTE

Bayonet suction cup: aluminum 1000 cc

Ref. 10077\*\*

- Body: chemical nickel-plated polished aluminum
- Air cap: chemical nickel-plated brass
- Nozzle: AISI 303 stainless steel
- Needle-spring: stainless steel
- Seal gaskets: self-lubricating and adjustable PTFE (Teflon)
- Weight: 544 g
- Operating air pressure: 2 - 2.5 bar
- Air consumption: 255 l/min at 2 bar
- Ø nozzle: 1.0 - 1.2 - 1.3 - 1.5 - 1.7 - 1.9 - 2.2 - 2.5

**Air inlet pressure regulator with pressure gauge**



BASE COAT  
CLEAR COAT  
PRIMER

Note:  
add a Ø to Ref. (\*\*)



## Slim SP HTE

To be used through pressurized containers, low pressure pumps

Product inlet M1/4"

Ref. 10078\*\*

Product inlet M3/8"

Ref. 10078\*\*-3/8

- Body: chemical nickel-plated polished aluminum
- Air cap: chemical nickel-plated brass
- Nozzle: AISI 303 stainless steel
- Needle-spring: stainless steel
- Seal gaskets: self-lubricating and adjustable PTFE (Teflon)
- Weight: 544 g
- Operating air pressure: 2 - 2.5 bar
- Air consumption: 255 l/min at 2 bar
- Ø nozzle: 1.0 - 1.2 - 1.3 - 1.5 - 1.7 - 1.9 - 2.2

**Air inlet pressure regulator with pressure gauge**



BASE COAT  
CLEAR COAT  
PRIMER

Note:  
add a Ø to Ref. (\*\*)



TYPE

ITEM ID

RECOMMENDED USE

## Slim S HTE SR

Cup: POM C 680 cc

Ref. 10083\*\*

Cup: aluminum 750 cc

Ref. 10084\*\*

- Body: chemical nickel-plated polished aluminum
- Air cap: chemical nickel-plated brass
- Nozzle: AISI 303 stainless steel
- Needle-spring: stainless steel
- Seal gaskets: self-lubricating and adjustable PTFE (Teflon)
- Weight: 535 g
- Operating air pressure: 2 - 2.5 bar
- Air consumption: 255 l/min at 2 bar
- Ø nozzle: 1.0 - 1.2 - 1.3 - 1.5 - 1.7 - 1.9 - 2.2 - 2.5



BASE COAT  
CLEAR COAT  
PRIMER

Note:  
add a Ø to Ref. (\*\*)



## Slim I HTE SR

Bayonet suction cup: aluminum 1000 cc

Ref. 10088\*\*

- Body: chemical nickel-plated polished aluminum
- Air cap: chemical nickel-plated brass
- Nozzle: AISI 303 stainless steel
- Needle-spring: stainless steel
- Seal gaskets: self-lubricating and adjustable PTFE (Teflon)
- Weight: 544 g
- Operating air pressure: 2 - 2.5 bar
- Air consumption: 255 l/min at 2 bar
- Ø nozzle: 1.0 - 1.2 - 1.3 - 1.5 - 1.7 - 1.9 - 2.2 - 2.5



BASE COAT  
CLEAR COAT  
PRIMER

Note:  
add a Ø to Ref. (\*\*)



## Slim SP HTE SR

To be used through pressurized containers, low pressure pumps

Product inlet M1/4"

Ref. 10089\*\*

Product inlet M3/8"

Ref. 10089\*\*-3/8

- Body: chemical nickel-plated polished aluminum
- Air cap: chemical nickel-plated brass
- Nozzle: AISI 303 stainless steel
- Needle-spring: stainless steel
- Seal gaskets: self-lubricating and adjustable PTFE (Teflon)
- Weight: 544 g
- Operating air pressure: 2 - 2.5 bar
- Air consumption: 255 l/min at 2 bar
- Ø nozzle: 1.0 - 1.2 - 1.3 - 1.5 - 1.7 - 1.9 - 2.2



BASE COAT  
CLEAR COAT  
PRIMER

Note:  
add a Ø to Ref. (\*\*)



TYPE

ITEM ID

RECOMMENDED USE

## Slim S HVLP

Cup: POM C 680 cc

Ref. 10060\*\*

Cup: aluminum 750 cc

Ref. 10061\*\*

- Body: chemical nickel-plated polished aluminum
- Air cap: chemical nickel-plated brass
- Nozzle: AISI 303 stainless steel
- Needle-spring: stainless steel
- Seal gaskets: self-lubricating and adjustable PTFE (Teflon)
- Weight: 535 g
- Operating air pressure: 2 bar
- Air consumption: 280 l/min at 2 bar
- Ø nozzle: 1.3 - 1.5 - 1.7 - 1.9 - 2.2

**Air inlet pressure regulator with pressure gauge**



PRIMER

Note:  
add a Ø to Ref. (\*\*)



## Slim I HVLP

Bayonet suction cup: aluminum 1000 cc

Ref. 10070\*\*

- Body: chemical nickel-plated polished aluminum
- Air cap: chemical nickel-plated brass
- Nozzle: AISI 303 stainless steel
- Needle-spring: stainless steel
- Seal gaskets: self-lubricating and adjustable PTFE (Teflon)
- Weight: 544 g
- Operating air pressure: 2 bar
- Air consumption: 280 l/min at 2 bar
- Ø nozzle: 1.7 - 1.9 - 2.2

**Air inlet pressure regulator with pressure gauge**



PRIMER

Note:  
add a Ø to Ref. (\*\*)



## Slim SP HVLP

To be used through pressurized containers, low pressure pumps

Product inlet M1/4"

Ref. 10071\*\*

Product inlet M3/8"

Ref. 10071\*\*-3/8

- Body: chemical nickel-plated polished aluminum
- Air cap: chemical nickel-plated brass
- Nozzle: AISI 303 stainless steel
- Needle-spring: stainless steel
- Seal gaskets: self-lubricating and adjustable PTFE (Teflon)
- Weight: 544 g
- Operating air pressure: 2 bar
- Air consumption: 280 l/min at 2 bar
- Ø nozzle: 1.0 - 1.3 - 1.5 - 1.7 - 1.9 - 2.2

**Air inlet pressure regulator with pressure gauge**



PRIMER

Note:  
add a Ø to Ref. (\*\*)



TYPE

ITEM ID

RECOMMENDED USE

## Slim HTE HD

Pressurised gravity cup POM C 680 cc

**Ref. 10080\*\***

- Pressurised gravity cup (M 1/4" product inlet): for high density products such as latex, polyurethane, gel coat, tixotropic products in the wood and industrial sectors
- Body: chemically nickered aluminum
- Air cap: chemical nickel-plated brass
- Nozzle: AISI 303 stainless steel
- Needle-spring: stainless steel
- Seal gaskets: self-lubricating and adjustable PTFE (Teflon)
- Weight: 535 g
- Air consumption: 2 - 2.5 bar
- Air consumption: 200 - 240 l/min
- Ø nozzle: 1.3 - 1.5 - 1.7 - 1.9 - 2.2

**Double spray gun air inlet pressure regulator and pressurised cup with pressure gauge**



Note:  
add a Ø to Ref. (\*\*)



# — EGO HTE-HVLP & GRAFO system —

## FOR SPOT REPAIR AND PROFESSIONAL DECOR.

EGO HVLP developed from the GENESI experience, same concept, nature, materials, processing precision, level of atomization and design.

EGO HVLP is a small finishing spray gun, ideal for bodywork touch-ups but also for base and clear coats.

EGO HTE the cutting edge technology for a mini gun, unbelievable performance in the higher transfer efficiency version, ideal solution for base coats and clear coats, HS and UHS.

The reduced air consumption (less than 180 l/min), high transfer efficiency (over 80%) as well as the high atomizing cap and quality of each single component make this spray gun a bodywork treasure, combining practicality and manageability with quality and high class finish.



Check the correct setup of the spray gun here, or visit [www.walmec.com/solutionfinder](http://www.walmec.com/solutionfinder)

### PAINTING DISTANCE

Between 10 and 15 cm for the HVLP version.

Between 15 and 20 cm for the HTE version, guarantees improved product layout on painted parts.

### SUITCASE

Rigid plastic suitcase includes: spraygun, air control with gauge, rebuild kit (spring, seals, air valve), cup, wrench tool, mineral lube oil, instruction manual and warranty.



- 1 FAN PATTERN CONTROL**  
From 0 to 5 turns of opening for a micrometric and ideal setting of the fan according to your needs.
- 2 MATERIAL FLOW CONTROL**  
From 0 to 5 opening turns for a micrometric and ideal setting of the product delivery based on the paint and the speed of the operator.
- 3 AIR ADJUSTMENT**  
Completely open for total air flow.
- 4 AIR INLET PRESSURE**  
Usage range 0.5 - 2.5 bar



TYPE

ITEM ID

RECOMMENDED USE

### EGO HTE

2 Cups: POM C 75-180 cc

Cup: aluminum 125 cc

- Body: forged and chrome-plated aluminum
- Air cap: chemical nickel-plated brass
- Nozzle: AISI 303 stainless steel
- Needle-spring: stainless steel
- Seal gaskets: self-lubricating and adjustable PTFE (Teflon)
- Weight: 295 g
- Operating air pressure: range 0.5 - 2.5 bar / compliant at 1.5 bar
- Air consumption: 145 l/min a t1.5 bar
- Ø nozzle: 0.5 - 0.7 - 1.0 - 1.2 - 1.4

**Top air inlet pressure regulator with pressure gauge**

Ref. 10090\*\*

Ref. 10091\*\*



Note:  
add nozzle Ø to Ref. (\*\*)



### EGO HVLP

2 Cups: POM C 75-180 cc

Cup: aluminum 125 cc

- Body: forged and chrome-plated aluminum
- Air cap: chemical nickel-plated brass
- Nozzle: AISI 303 stainless steel
- Needle-spring: stainless steel
- Seal gaskets: self-lubricating and adjustable PTFE (Teflon)
- Weight: 295 g
- Operating air pressure: range 0.5 - 2.5 bar / HVLP a 1.5 bar
- Air consumption: 160 l/min a 1.5 bar
- Ø nozzle: 0.5 - 0.7 - 1.0 - 1.2 - 1.4

**Top air inlet pressure regulator with pressure gauge**

Ref. 10023\*\*

Ref. 10024\*\*



Note:  
add nozzle Ø to Ref. (\*\*)



### GRAFO BAG

Kit for professional decorator packed in suitcase.

Ref. 39000/W

Featuring:

- 1 airbrush GRAPHIQUE
- 1 spray gun EGO HVLP Ø 0.7 with POM C gravity cup capacity 75 cc
- 1 needle-nozzle-air cap kit Ø 1.0 HVLP
- 1 DECOR KIT
- 1 air hose Ø 4x6 1.5 m with fittings
- Weight: 1.915 Kg
- Plastic suitcase



### GRAPHIQUE


Professional double action airbrush designed for all graphic works and decoration **Ref. 39003/W**

- Body: nickel-plated brass
- Weight: 300 g
- Nozzle: stainless steel
- Operating air pressure: 0.5 - 3.5 bar
- Needle-springs: stainless steel
- Air consumption: 10 - 25 l/min
- Double cups - gravity cup in anodized aluminum capacity 4 cc; suction cup in glas capacity 20 cc
- Featuring: fitting for hose Ø 4x6 - service spanner - support.

### DECOR KIT

Ref. 34500/W

Ideal for the simultaneous use of more than one product with the EGO HTE/HVLP spray gun.

- Featuring: 5 glass cups, capacity 20 cc; adaptor for EGO HTE/HVLP to be screwed on the body
- Weight: 210 g  In order to clean your spray gun more rapidly, we suggest that you reserve a cup for the diluent





# MATIK aerografi automatici

## IDEAL FOR WATERBORNE AND SOLVENT BASE, MS AND HS FOR INDUSTRIAL, WOODWORKING AND BODY SHOP.

Innovative automatic spray gun for industrial painting.

With a new design, MATIK combines the high product atomization features with the needs typical of the automatic painting sector such as component durability and extreme maintenance ease.

In fact, MATIK combines highly atomizing caps, from the bodywork sector, with perfect needle interference on the nozzle which, with CNC machine processed body and components, guarantee efficiency, reliability and durability. Available in the MATIK GEO versions, thus ecological with double atomization nozzle recommended for Car Re-finish; MATIK HVLP, recommended for industrial and wood applications; MATIK HTE, the high transfer efficiency version with high atomization, ideal for any type of application.

MATIK is engineered for easy maintenance but at the same time to deliver the best available performance with micrometric paint flow adjustment, all the models are available with 3 or 4 controls (the difference is in the pneumatic return needle control).

### PAINTING DISTANCE

Between 10 and 15 cm for the HVLP version.  
Between 15 and 20 cm for the HTE version for a correct application.

### BOX

The MATIK series are conveniently packed in structure cardboard box, high protection type. In the packaging is included: pneumatic fitting and couplers for the connection to the air system and the usual kit for cleaning and maintenance.



- 1 **ATOMIZATION**  
The Walcom® tradition for extremely high performance levels.
- 2 **ADJUSTMENTS**  
Air, product, pressure, fan.
- 3 **MAINTENANCE**  
Practical and function, the needle-nozzle and cap KIT can be quickly replaced.
- 4 **SEAL**  
Spray gun constructed with materials that guarantee maximum durability, even in extreme use conditions.
- 5 **MATIK 4**  
Needle pneumatic return control.



**TYPE**

**ITEM ID**

**RECOMMENDED USE**

**MATIK HTE 3**

**Ref. 3280\*\***



- Air and control inlets: with rotary quick couplings (M 1/4" double product inlet)
- Body: extruded anodised aluminum
- Air cap: nickel-plated brass
- Nozzle: AISI 303 stainless steel
- Needle-spring: stainless steel
- Spring return needle closing
- Seal gaskets: self-lubricating PTFE (Teflon)
- Fan and needle opening adjustments: micrometric and independent
- Weight: 890 g
- Operating air pressure: 2 bar
- Air consumption: 250 l/min
- Ø nozzle: 0.8 - 1.0 - 1.2 - 1.4 - 1.7

**MATIK HTE 4**

**Ref. 3285\*\***

Same features as Matik HTE 3 except:

- Pneumatic return needle closing
- Weight: 983 g

Note:  
add nozzle Ø to Ref. (\*\*)



**MATIK HVLP 3**

**Ref. 3270\*\***



- Air and control inlets: with rotary quick couplings (M 1/4" double product inlet)
- Body: extruded anodised aluminum
- Air cap: nickel-plated brass
- Nozzle: AISI 303 stainless steel
- Needle-spring: stainless steel
- Spring return needle closing
- Seal gaskets: self-lubricating PTFE (Teflon)
- Fan and needle opening adjustments: micrometric and independent
- Weight: 890 g
- Operating air pressure: 2 bar
- Air consumption: 250 l/min
- Ø nozzle: 0.8 - 1.0 - 1.2 - 1.4 - 1.7

**MATIK HVLP 4**

**Ref. 3275\*\***

Same features as Matik HVLP 3 except:

- Pneumatic return needle closing
- Weight: 983 g

Note:  
add nozzle Ø to Ref. (\*\*)



**MATIK GEO 3**

**Ref. 3260\*\***



- Air and control inlets: with rotary quick couplings (M 1/4" double product inlet)
- Body: extruded anodised aluminum
- Air cap: nickel-plated brass
- Nozzle: AISI 303 stainless steel
- Needle-spring: stainless steel
- Spring return needle closing
- Seal gaskets: self-lubricating PTFE (Teflon)
- Fan and needle opening adjustments: micrometric and independent
- Weight: 890 g
- Operating air pressure: 2 bar
- Air consumption: 250 l/min
- Ø nozzle: 0.7 - 1.0 - 1.3 - 1.5 - 1.7

**MATIK GEO 4**

**Ref. 3265\*\***

Same features as Matik GEO 3 except:

- Pneumatic return needle closing
- Weight: 983 g

Note:  
add nozzle Ø to Ref. (\*\*)



# Main spray gun SPARE PARTS

Walcom® original spare parts for a correct product maintenance are essential to keep the proper tool performance. Kit ADC (needle - nozzle air cap), Kit SPB the spare part box with the most frequent parts, Kit seals and springs (rebuild kit) included in each packaging or available separate.

A wide range of cups for spraygun, gravity, suction available in different materials and versions.

The new anti UV POM black cup, ideal solution for latest generation paint with fast drying times.

## PACKAGING

All our products are packed in cardboard box, plastic case or blister, with a barcode system and item ID number.

Delicate spare parts are carefully packed to avoid any transport damages.



1

### SPB SPARE PARTS BOX

All the main spare parts enclosed in a practical box, for safe and orderly maintenance.



2

### KIT ADC ADC KIT

Needle, nozzle and air cap, essential spare parts for correct operation of the spray gun, in convenient and safe plastic boxes.



3

### CUPS

Complete range of POM C, aluminum, pressurised, upper and lower cups.



4

### ANTI UV CUP

The use of a specific compound during the injection process, prevents UV rays to penetrate the cup and it represents the perfect solution for the new fast drying paint materials.

## ORIGINAL

We recommend using only original spare parts for a proper and efficient functionality of our products. The usage of not original spare parts can create malfunctioning but also damage the product itself.

## COMPATIBILITY

Always replace with part specific for your model.

If the thread is the same dimension, it could be not compatible with your product by default.

Not using the proper part may seriously compromise the performance of your product.

## The ADC KIT contains needle-nozzle-air cap for the following models:

### Genesi Carbonio HTE

ITEM ID	Ø	ITEM ID	Ø
970010	1.0	960011	1.1
970011	1.1	960012	1.2
970012	1.2	960013	1.3
970013	1.3	960014	1.4
970014	1.4	960017	1.7
970017	1.7	960019	1.9
970019	1.9		

### Genesi Carbonio HVLP

ITEM ID	Ø
980011	1.1
980012	1.2
980013	1.3
980014	1.4
980015	1.5
980017	1.7
980019	1.9

### Genesi Carbonio GEO

ITEM ID	Ø
990010	1.0
990011	1.1
990012	1.2
990013	1.3
990014	1.4
990015	1.5
990017	1.7
990019	1.9

## GENESI CARBONIO

### Genesi Top Line HTE

ITEM ID	Ø
956010	1.0
956012	1.2
956013	1.3
956014	1.4
956017	1.7
956019	1.9

### Genesi Top Line HVLP

ITEM ID	Ø
946010	1.0
946012	1.2
946013	1.3
946014	1.4
946017	1.7
946019	1.9

### Genesi Top Line GEO

ITEM ID	Ø
936010	1.0
936013	1.3
936015	1.5
936017	1.7
936019	1.9

## GENESI Top Line

## SLIM KOMBAT

\* Ø 1.0 - 1.1 - 1.2 no version I  
 \*\* Ø 2.5 available I and SP

**Slim Kombat UV** Ø available:  
 Ø 1.1 - 1.2 - 1.3 - 1.4

### Slim Kombat S-I-SP HTE / HTE SR

ITEM ID	Ø
800010	1.0 *
800011	1.1 *
800012	1.2 *
800013	1.3
800014	1.4
800015	1.5
800017	1.7
800018	1.8
800019	1.9
800022	2.2
800025	2.5 **

### Slim Kombat S-I-SP HVLP

ITEM ID	Ø
810010	1.0 *
810011	1.1 *
810012	1.2 *
810013	1.3
810014	1.4
810015	1.5
810017	1.7
810018	1.8
810019	1.9
810022	2.2
810025	2.5 **

### Slim XLight S-I-SP HTE/HTE SR Slim XLight HD

ITEM ID	Ø
820010	1.0 *
820011	1.1 *
820012	1.2 *
820013	1.3
820014	1.4
820015	1.5
820017	1.7
820018	1.8
820019	1.9
820022	2.2 **
820025	2.5 ***

## SLIM XLIGHT

\* Ø 1.0 - 1.1 - 1.2 no version I  
 \*\* Ø 2.2 no version SP  
 \*\*\* Ø 2.5 no version I and SP

**Ø 1.3 - 1.5 - 1.7 - 1.9 - 2.2**  
**Slim XLight HTE HD version**

### Slim XLight S-I-SP HVLP

ITEM ID	Ø
830010	1.0 *
830011	1.1 *
830012	1.2 *
830013	1.3
830014	1.4
830015	1.5
830017	1.7
830018	1.8
830019	1.9
830022	2.2 **
830025	2.5 ***

### EGO CARBONIO HTE EGO CARBONIO HVLP

ITEM ID	Ø	ITEM ID	Ø
700005	0.5	710005	0.5
700007	0.7	710007	0.7
700010	1.0	710010	1.0
700012	1.2	710012	1.2
700014	1.4	710014	1.4

### Slim S-I-SP HTE/HTE SR Slim HD

ITEM ID	Ø
1135210	1.0 *
1135212	1.2 *
1135213	1.3
1135215	1.5
1135217	1.7
1135219	1.9
1135222	2.2
1135225	2.5 **

## SLIM

### Slim HTE

\* Ø 1.0 - 1.2 no version HD  
 \*\* Ø 2.5 no version SP and HD

### Slim HVLP

\* Ø 1.0 no version S and I  
 \*\* Ø 1.3 - 1.5 no version I

### Slim S-I-SP HVLP

ITEM ID	Ø
1135010	1.0 *
1135013	1.3 **
1135015	1.5 **
1135017	1.7
1135019	1.9
1135022	2.2

### EGO HTE EGO HVLP

ITEM ID	Ø	ITEM ID	Ø
410005	0.5	41370	0.5
410007	0.7	41371	0.7
410010	1.0	41372	1.0
410012	1.2	41373	1.2
410014	1.4	41374	1.4

### Matik HTE 3-4

ITEM ID	Ø
375508	0.8
375510	1.0
375512	1.2
375514	1.4
375517	1.7

### Matik HVLP 3-4

ITEM ID	Ø
375408	0.8
375410	1.0
375412	1.2
375314	1.4
375317	1.7

### Matik GEO 3-4

ITEM ID	Ø
375307	0.7
375310	1.0
375313	1.3
375315	1.5
375317	1.7

## Automatic spray guns

## SPARE PARTS BOX

Plastic packaging containing the parts most subject to wear in the spray gun; 16 spare parts that assist the user's work. Reference, nºpieces and position in spare parts diagram are indicated in the box with a numbered grid that guides the professional searching for the required spare part.

TYPE	ITEM ID
<b>Spare parts box Genesi Carbonio</b>	Ref. 90185
<b>Spare parts box Genesi Top Line</b>	Ref. 90141
<b>Spare parts box Slim Kombat/ Slim XLight HTE</b>	Ref. 90189/HTE
<b>Spare parts box Slim Kombat/ Slim XLight HVLP</b>	Ref.90189/HVLP
<b>Spare parts box Slim</b>	Ref. 90139
<b>Spare parts box Ego Carbonio</b>	Ref. 90195
<b>Spare parts box Ego</b>	Ref. 90143

Size: L 24 x P 18 x H 3.5 cm

Weight: 480 g Genesi Carbonio/ Genesi Top Line - 437 g Slim Kombat/Slim XLight/ Slim - 378 g Ego/ Ego Carbonio



## SET OF GASKETS

Set of gaskets includes: springs, rod, air valve for spray guns.

TYPE	ITEM ID
<b>Genesi Carbonio</b>	Ref. 40782
<b>Genesi Carbonio Light</b>	Ref. 40784
<b>Genesi Top Line</b>	Ref. 1011270
<b>Slim Kombat / Slim XLight HTE</b>	Ref. 40783/HTE
<b>Slim Kombat / Slim XLight HVLP</b>	Ref. 40783/HVLP
<b>Slim</b>	Ref. 40761
<b>Ego Carbonio HTE / HVLP</b>	Ref. 40824
<b>Ego HTE / HVLP</b>	Ref. 1011262
<b>Matik all models</b>	Ref. 40816



## Adaptor

Ref. 52018

Made of nickel-plated brass to fit the new 680 cc POM C cup for Genesi (Ref. 52028/B - 52028/F - 52028/UV) with spray guns Slim - Slim XLight.



## GRAVITY CUPS:

TYPE

ITEM ID

## POM C 680 cc / Genesi Carbonio-Top Line / Slim Kombat

680 cc POM C gravity cup - weight: 170 g

Ref. 52028/B

Ø 9 product passage hole - M 16x1.5 thread

Valid for models:

**Genesi Carbonio series, Genesi Top Line series, Slim Kombat series.**

## NYLON 680 cc / Genesi Carbonio-Top Line / Slim Kombat

Nylon clear smoke effect cup 680 cc - weight 147 g

Ref. 52028/F

Ø 9 product passage hole - M 16x1.5 thread

Valid for models:

**Genesi Carbonio series, Genesi Top Line series, Slim Kombat series.**

## POM C 680 cc UV / Genesi Carbonio-Top Line / Slim Kombat

POM C plastic grey cup anti UV 680 cc - weight 170 g

Ref. 52028/UV

Ø 9 product passage hole - M 16x1.5 thread

Valid for models:

**Genesi Carbonio series, Genesi Top Line series, Slim Kombat series.**

## POM C 680 cc / Slim XLight / Slim

680 cc POM C gravity cup - weight: 235 g

Ref. 52010/W

POM C plastic grey cup anti UV 680 cc - weight 170 g

Ref. 52010/UV

Ø 6.8 product passage hole - M 12x1 thread

Valid for models:

**Slim XLight series, Slim series, Ego Carbonio/Ego series.**

## POM C 75-180 cc / Ego Carbonio / Ego

75 cc POM C gravity cup - weight: 50 g

Ref. 52015/W

180 cc POM C gravity cup - weight: 100 g

Ref. 52014/W

POM C plastic grey cup anti UV 180 cc - weight 100 g

Ref. 52014/UV

Valid for models:

**Ego Carbonio /Ego series, Slim XLight series ,Slim series.**

## Cups mod. Graphique

20 cc glass suction cup - weight 30 g

Ref. 52039

4 cc anodized aluminum gravity cup - weight 10 g

Ref. 51040/W



## GRAVITY CUPS:

TYPE

ITEM ID

### ALU. 750 cc / Genesi Carbonio-Top Line / Slim Kombat

750 cc aluminum gravity cup - weight: 158 g

Ref. 52008/W

Valid for models:

**Genesi Carbonio series, Genesi Top Line series, Slim Kombat series.**

### ALU. 750 cc / Slim XLight / Slim

750 cc aluminum gravity cup - weight: 158 g

Ref. 52005/W

Valid for models:

**Slim XLight series, Slim series, Ego Carbonio/Ego series.**

### ALU. 500 cc / Slim XLight / Slim

500 cc aluminum gravity cup - weight: 116 g

Ref. 52007/W

Valid for models:

**Slim XLight series, Slim series, Ego Carbonio/Ego series.**

### ALU. 125 cc / Ego Carbonio / Ego

125 cc aluminum gravity cup - weight: 65 g

Ref. 52016/W

Valid for models:

**Ego Carbonio/Ego series, Slim XLight series, Slim series.**

## SUCTION CUP: camlock and bayonet cups for suction spray guns

TYPE

ITEM ID

### Camlock 1000 cc / Genesi Top Line

1000 cc complete anodized aluminum suction cup with cover - weight: 428 g

Ref. 51008/W

Valid for models:

**Genesi Top Line series**

1000 cc anodized aluminum suction cup only - weight: 225 g

Ref. 20100102083

Set of camlock cup gaskets (5 pieces)

Ref. 90119/W



### Camlock 1000 cc / Slim Kombat / Slim XLight / Slim

1000 cc complete anodized aluminum suction cup with cover - weight: 450 g

Ref. 51012/W

Valid for models:

**Slim Kombat series, Slim XLight series, Slim series**

1000 cc anodized aluminum suction cup only - weight: 225 g

Ref. 20100102083

Set of camlock cup gaskets (5 pieces)

Ref. 90119/W



### Bayonet 1000 cc / Slim Kombat / Slim XLight / Slim

1000 cc complete anodized aluminum suction cup with cover - weight: 357 g

Ref. 51007

Valid for models:

**Slim Kombat series, Slim XLight series, Slim series**

1000 cc anodized aluminum suction cup only - weight: 155 g

Ref. 20100568083

Set of bayonet cup gaskets (5 pieces)

Ref. 90120/W



## PRESSURIZED GRAVITY CUP: for high-density products

### Pressurized gravity cup / G. Carbonio / G. Top Line / Slim Kombat

680 cc POM C gravity cup set complete with air flow regulator with manometer. For high density products like: latex, polyurethanes, gel coat, thixotropic products etc. - weight 560 g

Ref. 52055/W

Valid for models:

**Genesi Carbonio series, Genesi Top Line series**



### Pressurized gravity cup / Slim XLight / Slim

680 cc POM C gravity cup set complete with air flow regulator with manometer. For high density products like: latex, polyurethanes, gel coat, thixotropic products etc. - weight 560 g

Ref. 52054/W

680 cc aluminum cup version - weight: 580 g

Ref. 52053/W

Valid for models:

**Slim XLight series, Slim series**

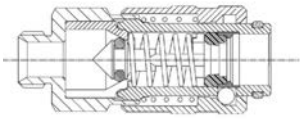




# Couplings and plugs

COMPATIBLE PLUGS

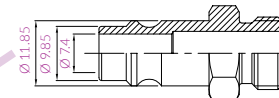
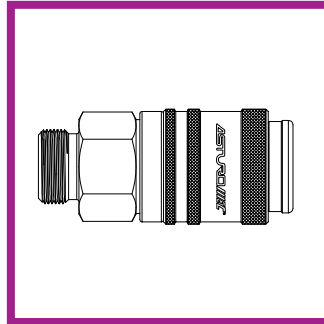
STANDARD



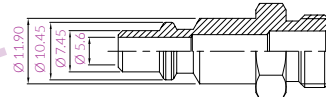
**X300 U**

## X300 U universal automatic coupling

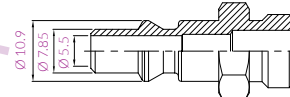
Body: nickel-plated brass/  
aluminum  
Tip: PA66 loaded glass with  
aluminum ring  
Air valve: brass  
Lock: 6-ball steel  
Gaskets: NBR



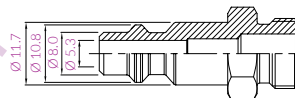
**D**



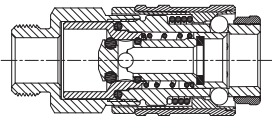
**I**



**S**



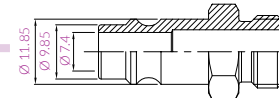
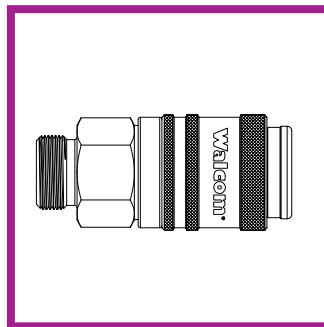
**USA**



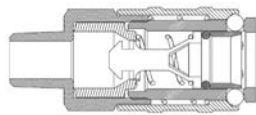
**X300 U**

## X300 automatic coupling

Body: nickel-plated brass/  
anodised aluminum  
Tip: PA66 loaded glass with alumi-  
num ring  
Air valve: brass  
Lock: 6-ball steel  
Gaskets: NBR



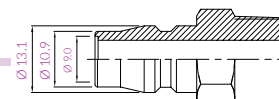
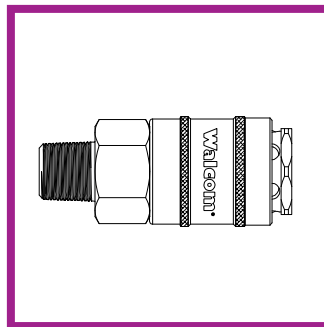
**D**



**X400**

## X400 semi-automatic coupling

Body: nickel-plated brass/  
tempered and chrome-plated  
steel  
Tip: nickel-plated brass  
Air valve: tropicalized steel  
Lock: 4-ball steel  
Gaskets: NBR



**Jp**

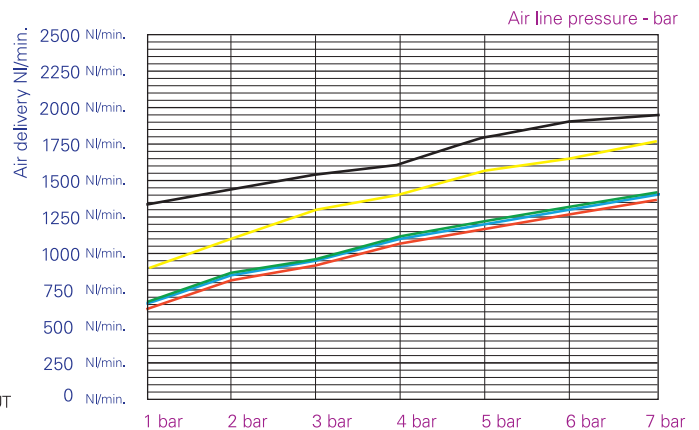
### TECHNICAL SPECIFICATIONS:

Professional coupling and plugs and high air flow fittings for bodywork use. Japanese (diam. 9.2 mm) and German (diam. 7.4 mm) standards guarantee constant air flow between hose and spray gun, without choking, and air flow over 1.500 l/min at 6 bar.

Operating air pressure: 0 - 16 bar  
Working temperature: -40°C + 80°C

- Standard D
- Standard I
- Standard S
- Standard USA
- Standard X400 AUT

### QUICK COUPLING FLOW DIAGRAM WITH 1 bar



TYPE

ITEM ID

### X300 U - Male

Thread 1/4"	Ref. 10201U
Thread 3/8"	Ref. 10202U
Thread 1/2"	Ref. 10203U

Packaging: 25 pcs



### X300 U - Female

Thread 1/4"	Ref. 10211U
Thread 3/8"	Ref. 10212U
Thread 1/2"	Ref. 10213U

Packaging: 25 pcs



### X300 U - With rest

Internal diameter 6 mm	Ref. 10221U
Internal diameter 8 mm	Ref. 10222U
Internal diameter 10 mm	Ref. 10223U

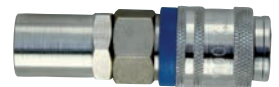
Packaging: 25 pcs



### X300 U - For rubber hose

Internal diameter 6 mm - External diameter 14 mm	Ref. 10231U
Internal diameter 8 mm - External diameter 17 mm	Ref. 10232U
Internal diameter 10 mm - External diameter 19 mm	Ref. 10233U
Internal diameter 8 mm - External diameter 14 mm	Ref. 10234U

Packaging: 25 pcs



### X300 U -For rubber hose

Thread 6x8	Ref. 10241U
Thread 8x10	Ref. 10242U
Thread 6x10	Ref. 10243U
Thread 8x12	Ref. 10244U
Thread 10x12	Ref. 10246U

Packaging: 25 pcs



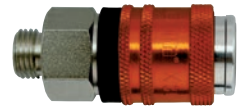
TYPE

ITEM ID

### X300 - Male

Thread 1/4"	Ref. 10251
Thread 3/8"	Ref. 10252
Thread 1/2"	Ref. 10253

Packaging: 10 pcs



### X300 - Female

Thread 1/4"	Ref. 10261
Thread 3/8"	Ref. 10262
Thread 1/2"	Ref. 10263

Packaging: 10 pcs



### X300 - With rest

Internal diameter 6 mm	Ref. 10271
Internal diameter 8 mm	Ref. 10272
Internal diameter 10 mm	Ref. 10273

Packaging: 10 pcs



### X300 - D male plug

Thread 1/4"	Ref. 11041
Thread 3/8"	Ref. 11042
Thread 1/2"	Ref. 11043

Packaging: 25 pcs



### X300 - D female plug

Thread 1/4"	Ref. 11141
Thread 3/8"	Ref. 11142

Packaging: 25 pcs



TYPE

ITEM ID

### X400 - Male

Thread 1/4" U  
Thread 3/8" U

Ref. 10551  
Ref. 10552

Packaging: 10 pcs



### X400 - Female

Thread 1/4" U  
Thread 3/8" U

Ref. 10651  
Ref. 10652

Packaging: 10 pcs



### X400 - With rest

Internal diameter 8 mm  
Internal diameter 10 mm

Ref. 10555  
Ref. 10556

Packaging: 10 pcs



### X400 - Jp male plug

Thread 1/4" U  
Thread 3/8" U

Ref. 11470  
Ref. 11471

Packaging: 10 pcs



### X400 - Jp female plug

Thread 1/4" U  
Thread 3/8" U

Ref. 11480  
Ref. 11481

Packaging: 10 pz.



# Pressure regulators for spray guns

Professional pressure regulators for precise painting.

From the innovative membrane system, which absorbs compressed air line pressure fluctuation, very light carbon regulators with detachable digital pressure gauge (EJS system - easy joint system) with rotating or swivel connection, to traditional aluminum regulators with analog gauges.

A complete range for any type of requirement and need.

High quality accessories  
line Made in Italy



1

2



3

## 1 DGT PRO REGULATOR

DGT PRO carbon fiber regulator, swivel connection and digital pressure gauge with EJS system.

## 2 MEMBRANE REGULATOR

Membrane regulator, ideal for equalizing the inlet pressure in the case of any changes in the air line. Maximum guarantee for quality painting. EJS system for quick attachment and release of the digital pressure gauge.

## 3 DIGITAL MANOMETER

Digital pressure gauge with EJS system. Settable in psi or bar according to the needs.

### PACKAGING

All our accessories are packed in safe box, plastic bag with hook system, configure to be easily stocked on shelves or grid stand.



TYPE

ITEM ID

## MR-DGT membrane regulator

Professional pressure regulator with internal membrane, capable of compensating for drops in line pressure up to 1 bar, keeping the pressure constant airbrush inlet. Equipped with quick coupling and digital carbon fiber pressure gauge.

Version without pressure gauge \*\*

- Body: in POM with membrane in EPDM and internal spring in stainless steel. Knob for pressure regulation equipped with safety lock.
- Manometer: high precision digital with carbon fiber case
- Scale: 0 - 12 bar
- Air inlet: 1/4 "U swivel, compatible with various standard 1/4"
- **EJS system (easy joint system) with automatic tap, for practical release and connection of the pressure gauge.**

Ref. 90187/W

Ref. 90188/W

- Packaging: 1 pc.
- Weight: 175 g / \*\*135 g



TYPE

ITEM ID

## DGT PRO carbon regulator

High flow and precision pressure regulator, with carbon fiber structure and 1/4 swivel connection, digital pressure gauge with carbon fiber case.

Ref. 90193/W

- Body: carbon fiber
- Manometer: high precision digital with carbon fiber case
- Scale: 0 - 12 bar
- Air inlet: 1/4 "U swivel, compatible with various standard 1/4"
- **EJS system (easy joint system) with automatic tap, for practical release and connection of the pressure gauge.**



Only for the "light" version of GENESI CARBONIO and for all the other models in the range (SLIM - EGO series)

- Packaging: 1 pc.
- Weight: 118 g



## PRO carbon regulator

High flow and precision pressure regulator, with carbon fiber structure and 1/4 swivel connection.

Ref. 90194/W

- Body: carbon fiber
- Air inlet: 1/4 "U swivel, compatible with various standard 1/4"
- **Compatible with EJS (easy joint system)**



Only for the "light" version of GENESI CARBONIO and for all the other models in the range (SLIM - EGO series)

- Packaging: 1 pc.
- Weight: 77 g



## DGT PRO carbon regulator / Adjustable angle

High flow and precision pressure regulator, with carbon fiber structure and 1/4 swivel connection and adjustable angle 30°, digital pressure gauge with carbon fiber case.

Ref. 90190/W

- Body: carbon fiber
- Manometer: high precision digital with carbon fiber case
- Scale: 0 - 12 bar
- Air inlet: 1/4 "U swivel adjustable 30° angle connection, compatible with various standard 1/4"
- **EJS system (easy joint system) with automatic tap, for practical release and connection of the pressure gauge.**



Only for the "light" version of GENESI CARBONIO and for all the other models in the range (SLIM - EGO series)

- Packaging: 1 pc.
- Weight: 127 g



## PRO carbon regulator / Adjustable angle

High flow and precision pressure regulator, with carbon fiber structure and 1/4 swivel connection and adjustable angle 30°.

Ref. 90192/W

- Body: carbon fiber
- Air inlet: 1/4 "U swivel adjustable 30° angle connection, compatible with various standard 1/4"
- **Compatible with EJS (easy joint system)**



Only for the "light" version of GENESI CARBONIO and for all the other models in the range (SLIM - EGO series)

- Packaging: 1 pc.
- Weight: 86 g



TYPE

ITEM ID

## DGT carbon regulator

High flow and precision pressure regulator, with carbon fiber structure and 1/4 swivel connection, digital pressure gauge with carbon fiber case.

Ref. 90183/W

- Body: carbon fiber
- Manometer: high precision digital with carbon fiber case
- Scale: 0 - 12 bar
- Air inlet: 1/4 "U swivel, compatible with various standard 1/4"
- **EJS system (easy joint system) with automatic tap, for practical release and connection of the pressure gauge.**



Only for the "NO light" version of GENESI CARBONIO

- Packaging: 1 pc.
- Weight: 118 g



## Carbon regulator

High flow and precision pressure regulator, with carbon fiber structure and 1/4 swivel connection.

Ref. 90184/W

- Body: carbon fiber
- Air inlet: 1/4 "U swivel, compatible with various standard 1/4"
- **Compatible with EJS (easy joint system)**



Only for the "NO light" version of GENESI CARBONIO

- Packaging: 1 pc.
- Weight: 77 g



## DGT carbon regulator / Adjustable angle

High flow and precision pressure regulator, with carbon fiber structure and 1/4 swivel connection and adjustable angle 30°, digital pressure gauge with carbon fiber case.

Ref. 90180/W

- Body: carbon fiber
- Manometer: high precision digital with carbon fiber case
- Scale: 0 - 12 bar
- Air inlet: 1/4 "U swivel adjustable 30° angle connection, compatible with various standard 1/4"
- **EJS system (easy joint system) with automatic tap, for practical release and connection of the pressure gauge.**



Only for the "NO light" version of GENESI CARBONIO

- Packaging: 1 pc.
- Weight: 127 g



## Carbon regulator / Adjustable angle

High flow and precision pressure regulator, with carbon fiber structure and 1/4 swivel connection and adjustable angle 30°.

Ref. 90182/W

- Body: carbon fiber
- Air inlet: 1/4 "U swivel adjustable 30° angle connection, compatible with various standard 1/4"
- **Compatible with EJS (easy joint system)**



Only for the "NO light" version of GENESI CARBONIO

- Packaging: 1 pc.
- Weight: 86 g



TYPE

ITEM ID

## Digital carbon fiber gauge DGT

Digital gauge high precision, carbon fiber housing.

Ref. 90181/W

- **EJS system (easy joint system) with automatic tap, for practical release and connection of the pressure gauge.**
- Scale: 0 - 12 bar
- Packaging: 1 pc.
- Weight: 41 g



## Regulator

Air flow regulator with glass pressure gauge and metallic case to be applied to the spray gun air inlet.

Ref. 90105/W

- Manometer: scale 0 - 10 bar
- Entrata aria: 1/4" U compatibile con i diversi standard 1/4"
- Packaging: 1 pc.
- Weight: 138 g



## Regulator

Air flow regulator to be applied to the spray gun air inlet.

Ref. 90106/W

- Air inlet: 1/4" U compatible with various standard 1/4"
- Packaging: 1 pc.
- Weight: 68 g



## Manometer

Spare manometer for air flow regulator, connection M 1/8".

Ref. 61306

- Operating air pressure: 0 - 10 bar
- Packaging: 1 pc.
- Weight: 70 g



## Manometer protector from 39 to 43 mm

Ref. 90128

## Manometroprotectoro da 63 mm

Ref. 90129

Transparent shockproof and paint-proof pressure gauge guard, washable with solvent.

- Packaging: 10 pc.
- Weight: 10 g





# painting ACCESSORIES

Professional accessories designed to facilitate bodyworks, guaranteeing maximum efficiency and practicality, demonstrating that even details are important in quality works. A complete ranges, from regulators to masks, clothing to Personal Protection Equipment, specific paint booth hoses and paint filters.

All this designed and manufactured by Walmecc exclusively for professionals.

High quality accessories line made in Italy



- 1 MASKS**  
Active carbon or dust-proof, they offer suitable respiratory tract protection.
- 2 PAPER SIEVE**  
Practical, efficient, disposable sieve for correct paint filtering.
- 3 SUPPORT**  
Valid supports for 1 or 2 spray guns with upper cup, booth wall mountable with a supplied magnet or screws (Supporter), and bench top (Skeleton).
- 4 MASK**  
Complete with helmet, visor and internal air regulator; required for workman's safety in the paint booth.
- 5 PAINT SUIT**  
In nylon and antistatic carbon filaments, it is the professional solution for the spray booth. The antistatic treatment makes it repellent to paint fumes.
- 6 GLOVES**  
Made of latex, paint and solvent resistant, they let the operator work in fully clean conditions.
- 7 VISCOSIMETRO**  
Indispensable in hosta-form to check density, commonly called the "Ford 4 cup" by workers.

## PACKAGING

All our accessories are packed in safe box, plastic bag with hook system, configure to be easily stocked on shelves or grid stand.



TYPE

ITEM ID

## HELMET mask

Approved protective mask CE0194 approved - EN1459N:2005 class A standard compliant consisting of:

**Ref. 50400/W**

- Visored helmet with internal ventilation
- Pressure drop safety buzzer
- Polyurethane hose for spray gun connections
- Filtering kit with carbon filters
- Belt
- 2 spare adhesive visor cover
- Packaging: 1 pcs
- Weight: 1.2 Kg



## SAFETY PLUS mask

Protective mask with 2 active carbon filters  
Spare filter for Ref. 50410/W - weight 100 g

**Ref. 50410/W**

**Ref. 50411/W**

- Meet EEC standards, 89/686/EEC directive
- Packaging: 1 pcs
- Weight: 320 g



## SAFETY mask

Protective mask with 1 active carbon filter  
Spare filter for Ref. 50416/W - weight 100 g

**Ref. 50416/W**

**Ref. 50417/W**

- Meet EEC standards, 89/686/EEC directive
- Packaging: 1 pcs
- Weight: 280 g



## Paint mask

FFP2S active carbon filter face mask, suited for painting.

**Ref. 50418/W**

- Packaging: 10 pcs
- Weight: 260 g



## Dust mask

FFP1 dust-proof filter face mask.

**Ref. 50419/W**

- Packaging: 50 pcs
- Weight: 160 g



TYPE

ITEM ID

## Goggles

V-Maxx protective goggle mask with AC lenses + 2 lens covers

Ref. 50420/W

- Packaging: 5 pcs
- Weight: 375 g



## Painting clothing

- 1** COMPLETE JACKET + TROUSERS  
High quality for the spray booth. Antistatic, breathable and elasticized. In black nylon reinforced with carbon filaments.

Ref. **ARC183/\*\***
- 2** JACKET only

Ref. **ARC184/\*\***
- 3** only PANTS

Ref. **ARC185/\*\***
- 4** SUIT  
made for use in the spray booth in breathable white nylon and antistatic. Single pocket.

Ref. **ARC041/\*\***

  - Sizes: \*\*add size (S - M - L - XL - XXL) to the Ref. - (pants only M - L - XL)
  - White jumpsuit (\*\*52 - 54 - 56)
  - Packaging: 2 pcs. COMPLETE - 1 pc. only JACKET / only TROUSERS
  - Weight: 155 g / 90 g / 65 g

①



②



③



④



## Gloves

Latex, non-sterile ambidextrous paint gloves.  
Paint and solvent resistant.

Ref. 50421/W

- One size fits all
- Packaging: 50 pcs
- Weight: 2 Kg



## Articulated fitting

F 1/4"nickel-plated brass fitting with 30° joint, ideal for painting.

Jp standard Japanese version \*

Ref. 11048

D standard German version \*\*

Ref. 11049

- Packaging: 10 pcs
- Weight: \*680 g - \*\* 640 g



TYPE

ITEM ID

## Supporter

Magnetic holder for spray guns with gravity cups.  
Can also be affixed to non-ferrous surfaces using supplied screws.

**Ref. 60130**

Features:

- Painted steel
- Packaging: 1 pcs
- Dimensions cm: L 20 x P 14.5 x H 23.2 cm
- Weight: 1.68 Kg



## Skeleton

Holder for spray guns with gravity cups. Simple, stable and ergonomic, suited for any spray gun.

**Ref. 60149/W**

Features:

- Galvanised steel
- Dimensions cm: L 13 x P 20 x H 29 cm
- Packaging: 1 pcs
- Weight: 177 g



## Cleaning kit

Cleaning set indispensable for spray gun maintenance.

**Ref. 90109/W**

Composition:

- 1 pin;
- 1 big cleaning brush;
- 1 small cleaning brush;
- 12 pins for cleaning the air cap.
- Packaging: 1 Kit
- Weight: 30 g



## Wrench set

Set of wrench for the maintenance on "FX-FZ" spray gun series.

**Ref. 91000**

- Packaging: 6 pcs
- Weight: 830 g



## SSP2

2 l capacity pressurised tank with MM 1/4" product inlet/outlet.

**Ref. 90014**

- Container: anodized aluminum
- Safety valve: brass
- Doubled hose: SBR/EPDM rubber with fittings; 1.5 m length
- Air inlet pressure regulator with manometer
- Operating air pressure: 1.0 bar max
- Air consumption: 3.0 bar
- Weight: 1.8 Kg



TYPE

ITEM ID

## Filter

Steam trap filter with filler component and steam release valve to be fitted at the inlet of the spray gun.

**Ref. 90111/W**

- Packaging: 1 pcs
- Weight: 100 g



## Filter

100-mesh (750 µm) complete filter for pressure fed spray guns, **F/M 3/8"** version\*

**Ref. 60097/W**

100-mesh (750 µm) complete filter for pressure fed spray guns, **F/M 1/4"** version \*

**Ref. 60098/W**

100-mesh (750 µm) complete filter for Ref. 60097/W \*\*

**Ref. 412012/W**

- \* Packaging: 1 pcs = weight: 50 g
- \*\* Packaging: 1 pcs = weight: 25 g



## Filter

2000-mesh (160 µm) stainless steel paint filter to be attached to the suction pipe of spray guns with suction cups.

**Ref. 90112/W**

- Packaging: 10 pcs
- Weight: 50 g



## Filter

Nylon paint filter to be attached to the suction pipe of spray guns with suction cups. **Ref. 90113\*\*/W**

\*\* Specify: 5000 - 7000 - 10000 mesh (90 µm-75 µm-60 µm)

- Packaging: 10 pcs
- Weight: 65 g



## Filter

2000-mesh (160 µm) nylon paint filter to be attached to the spray gun with gravity cups for touch-ups.

**Ref. 90114/W**

500-mesh (300 µm) nylon paint filter to be attached to the spray gun with gravity cups for primers.

**Ref. 90137/W**

- Packaging: 10 pcs
- Weight: 40 g



TYPE

ITEM ID

## Genesi Carbonio / Genesi Top Line filter

800-mesh (230 µm) nylon paint filter to be attached to the spray guns with gravity cups. **Ref. 90145/W**

- Packaging: 10 pcs
- Weight: 40 g



## Sieve

Nylon sieve for paint

**Ref. 90115\*\*/W**

\*\* Specify: 2000 - 5000 - 7000 - 10000 - 15000 - 17000 mesh  
(160 µm-90 µm-75 µm- 60 µm-45 µm-40 µm)

- Packaging: 10 pcs
- Weight: 300 g



## Paper sieve

Disposable paper paint sieve.

1000 mesh version (190 µm)

**Ref. 90146.10**

2500 mesh version (125 µm)

**Ref. 90146.25**

- Packaging: 250 pcs
- Weight: 1.473 Kg



## Viscosimeter

"FORD 4" viscosimeter cup to test paint density.

**Ref. 90116/W**

- Packaging: 3 pcs
- Weight: 270 g



# PAINTING HOSES

Professional range of hoses specific to paint booths, also available in the practical 10/12 metre coupled versions. In addition to the high performance Polyurethane and flexible Ragno, already popular and appreciated on the market, a new Walcom® SUPERFLEX hose is introduced with high performance in terms of sturdiness, durability, seal, temperature resistance and flexibility: ideal for safe painting in the booth.

## TYPE

## ITEM ID

### SUPERFLEX

High performance and resistance hose, PU (Polyurethane) composite and thermoplastic rubber, reinforced with polyester. Antistatic.

#### 100 m coil

- Bottom layer and cover: PU composite and thermoplastic rubber
- Reinforcing: polyester fiber
- Operating air pressure: 15 - 20 bar
- Exploding pressure: 60 bar
- Temperature: - 15°C + 70°C

Internal diameter 10 mm - external diameter 15 mm

Ref. 60307

- Packaging: 1 pcs



### SUPERFLEX

High performance and resistance hose, PU (Polyurethane) composite and thermoplastic rubber, reinforced with polyester. Antistatic.

#### 12 m coil

- Bottom layer and cover: PU composite and thermoplastic rubber
- Reinforcing: polyester fiber
- Operating air pressure: 15 - 20 bar
- Exploding pressure: 60 bar
- Temperature: - 15°C + 70°C

Internal diameter 10 mm - external diameter 15 mm

Ref. 60309

- Packaging: 1 pcs



### STRAIGHT POLYURETHANE

#### 100 m coil

- Substrate and cover: 100% polyurethane
- Reinforcement: 550/1100 Trevira Heochst polyester yarn
- Operating air pressure: 20 bar
- Exploding pressure: 60 bar
- Temperature: - 25°C + 60°C

Internal diameter 6 mm - external diameter 10 mm

Ref. 60200

Internal diameter 8 mm - external diameter 12 mm

Ref. 60201

Internal diameter 10 mm - external diameter 14.5 mm

Ref. 60202

- Packaging: 1 pcs



TYPE

ITEM ID

## STRAIGHT POLYURETHANE

**10 m coil** with 2 swiveling female 1/4" fittings

- Substrate and cover: 100% polyurethane
- Reinforcement: 550/1100 Trevira Hoechst polyester yarn
- Operating air pressure: 20 bar
- Exploding pressure: 60 bar
- Temperature: - 25°C + 60°C

Internal diameter 6 mm - external diameter 10 mm

**Ref. 60210**

Internal diameter 8 mm - external diameter 12 mm

**Ref. 60211**

Internal diameter 10 mm - external diameter 14.5 mm

**Ref. 60212**

- Packaging: 1 pcs



## STRAIGHT POLYURETHANE

**25 m coil** with 2 swiveling female 1/4" fittings.

- Substrate and cover: 100% polyurethane
- Reinforcement: 550/1100 Trevira Hoechst polyester yarn
- Operating air pressure: 20 bar
- Exploding pressure: 60 bar
- Temperature: - 25°C + 60°C

Internal diameter 6 mm - external diameter 10 mm

**Ref. 60220**

Internal diameter 8 mm - external diameter 12 mm

**Ref. 60221**

Internal diameter 10 mm - external diameter 14.5 mm

**Ref. 60222**

- Packaging: 1 pcs



## RAGNO HOSE

**50 m coil**

- Substrate and cover: polyurethane anti-abrasive and thermoplastic rubber
- Reinforcement: polyester yarn
- Operating air pressure: 20 bar
- Exploding pressure: 60 bar
- Temperature: - 20°C + 60°C

Internal diameter 10 mm - external diameter 15 mm

**Ref. 60250**

Internal diameter 8 mm - external diameter 12 mm

**Ref. 60254**

- Packaging: 1 pcs



## RAGNO HOSE

**10 m coil** with fittings

- Substrate and cover: polyurethane anti-abrasive and thermoplastic rubber
- Reinforcement: polyester yarn
- Operating air pressure: 20 bar
- Exploding pressure: 60 bar
- Temperature: - 20°C + 60°C

Internal diameter 10 mm - external diameter 15 mm

**Ref. 60252**

- Packaging: 1 pcs





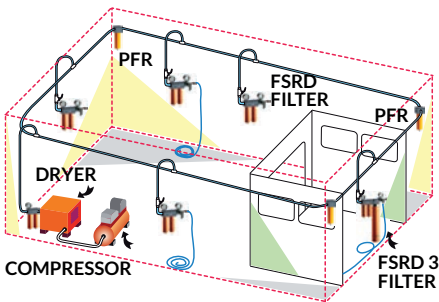
# FILTER series

Walcom® series filter groups represent the maximum expression of quality in terms of compressed air treatment in bodyworks.

Line, drop line, paint booth: perfectly clean and filtered air is a must, and for this reason Walcom® has created a complete range of single and combined filter groups, able to fully eliminate all water, oil, dust and humidity residue from mains air, generating breathable air thanks to the active carbon filter.

The new /11 series combines a restyled look with higher efficiency which, thanks to the new air passage designs, guarantees 1200 l/min air flow, allowing for efficient bodyworks with even 2 spray guns.

## EXAMPLE OF THE AIR PIPING IN THE BODY SHOP



Piping inclination 0.5 - 1% max



- 1 **AIR PASSAGES**  
3/4" air passages with 1200 l/min capacity. Possibility of working with 2 spray guns.
- 2 **BAR**  
CNC processed extruded and anodised aluminium bar and pipes.
- 3 **PRESSURE REGULATIONS**  
High precision pressure regulator with pressure gauge.
- 4 **SATURATION INDICATORS**  
Silica gel saturation indicators (FSRD 4 - FSRD 3 - ESR versions).
- 5 **DISCHARGE**  
Automatic for water and manual for oil.



TYPE

ITEM ID

RECOMMENDED USE

## FSRD 4

A modular filter system ideal for use in the painting booth.

Ref. 60138/11



- Central body: anodized aluminum
- Composition:
  - 1) Pre-filtering element in synthetic fibre for the elimination of condensation. Automatic discharge.
  - 2) Oil-separating filter for the elimination of residual pollutants. Manual drainage tap.
  - 3) Silica dryer group to reduce residual humidity in the compressed air. Nr. 3 saturation indicator lights.
  - 4) Active carbon filter to eliminate all impurities and obtain breathable air. Max oil residue < 0.0003 mg/m<sup>3</sup>.
- Pressure adjuster: membrane system and automatic decompression
- Air inlet: F 3/4"; air outlet: n° 2 from M 1/4"
- Filtering power: air 5 µ - oil 0.01 µ
- Operating air pressure: 12 bar
- Air consumption: 1200 l/min. to 6 bar
- Weight: 11 Kg



## FSRD 3

A modular filter system ideal for use in the painting booth.

Ref. 60123/11



- Central body: anodized aluminum
- Composition:
  - 1) Pre-filtering element in synthetic fibre for the elimination of condensation. Automatic discharge.
  - 2) Oil-separating filter for the elimination of residual pollutants. Manual drainage tap.
  - 3) Silica dryer group to reduce residual humidity in the compressed air. Nr. 3 saturation indicator lights.
  - 4) Filter to eliminate dust generated by silica, 5 µ filtering capacity.
- Pressure adjuster: membrane system and automatic decompression
- Air inlet: F 3/4"; air outlet: n° 2 from M 1/4"
- Filtering power: air 5 µ - oil 0.01 µ
- Operating air pressure: 12 bar
- Air consumption: 1200 l/min. to 6 bar
- Weight: 11 Kg



## FSRD 2

A modular filter system ideal for use in the painting booth.

Ref. 60145/11



- Central body: anodized aluminum
- Composition:
  - 1) Pre-filtering element in synthetic fibre for the elimination of condensation. Automatic discharge.
  - 2) Oil-separating filter for the elimination of residual pollutants. Manual drainage tap.
  - 3) Active carbon filter to eliminate all impurities and obtain breathable air. Max oil residue < 0.0003 mg/m<sup>3</sup>.
- Pressure adjuster: membrane system and automatic decompression
- Air inlet: F 3/4"; air outlet: n° 2 from M 1/4"
- Filtering power: air 5 µ - oil 0.01 µ
- Operating air pressure: 12 bar
- Air consumption: 1200 l/min. to 6 bar
- Weight: 7 Kg



## TYPE

## ITEM ID

## RECOMMENDED USE

### FSRD

Air treatment system excellent for use in car-body workshops and industry.

**Ref. 60121/11**



- Central body: anodized aluminum
- Composition:
  - 1) Pre-filtering element in synthetic fibre for the elimination of condensation. Automatic discharge.
  - 2) Oil-separating filter for the elimination of residual pollutants. Manual drainage tap.
- Pressure adjuster: membrane system and automatic decompression
- Air inlet: F 3/4"; air outlet: n° 2 from M 1/4"
- Filtering power: air 5 µ - oil 0.01 µ
- Operating air pressure: 12 bar
- Air consumption: 1200 l/min. to 6 bar
- Weight: 4.7 Kg



### FCA

Active carbon filter to eliminate all impurities and obtain breathable air, max oil residue < 0.0003 mg/m<sup>3</sup>.

**Ref. 60139/11**



- Central body: anodized aluminum
- Air inlet: F 3/4"; air outlet: F 1/2"
- Operating air pressure: 12 bar
- Air consumption: 1200 l/min. to 6 bar
- Weight: 2 Kg



### PFR

Filter unit for the elimination of condensation.

**Ref. 60127/11**



- Composition: Synthetic fibre pre-filtering element to eliminate condensation. Automatic drain.
- Central body: anodized aluminum
- Pressure adjuster: membrane system and automatic decompression
- Air inlet: F 3/4"; air outlet: n° 2 from M 1/4"
- Filtering power: air 5 µ
- Operating air pressure: 12 bar
- Air consumption: 1200 l/min. to 6 bar
- Weight: 3.45 Kg



# FILTERS

TYPE

ITEM ID

RECOMMENDED USE

## ESR

Silica drying unit, to eliminate residual humidity in compressed air, to be used in combination with an air pre-filtering group in a painting booth. Provided with an indicator to show saturation of the silica which can be replaced or regenerated (4 hours at 120° C).

**Ref. 60129/11**



- Filter to eliminate dust generated by silica 5 µ.
- Central body: anodized aluminum
- Pressure adjuster: membrane system and automatic decompression
- Air inlet: F 3/4"; air outlet: n° 2 from M 1/4"
- Filtering power: air 5 µ
- Operating air pressure: 12 bar
- Air consumption: 1200 l/min. to 6 bar
- Weight: 11.5 Kg



## THK

The kit comes in a case for scheduled FSRD4 annual equipment maintenance. **Ref. 60134**  
The kit comes in a case for scheduled FSRD3 annual equipment maintenance. **Ref. 60168**



Composition:

- nr. 1 synthetic fibre water filter: to be replaced once a year;
- nr. 1 coalescent oil filter: to be replaced once a year;
- nr. 2 active carbon filters: to be replaced every 6 months (only Ref. 60134);
- nr. 1 1.3 kg silica gel packaging.
- Weight: 2.28 Kg FSRD4 - Weight: 2.18 Kg FSRD3



## SPARE PARTS FOR AIR FILTRATION SYSTEM



### ① Water filter

Synthetic fiber to eliminate condensation. Filtration capacity 5 micron.

**Ref. 3064087**

- Packaging: 1 pz.
- Weight: 59 g

### ② Oil filter

Cartridge to eliminate oil impurities. Filtration capacity 0.01 micron

**Ref. 3063162**

- Packaging: 1 pz.
- Weight: 79 g

### ③ Silica gel

Silica gel beans to remove any residual humidity (it can be regenerated in 4 h at 120°C, it can last maximum 1 year).

**Ref. 3063096**

- Packaging: 1 pz.
- Weight: 1.3 Kg

### ④ Active charcoal

This filter remove any residual impurities, gas or vapor. Max residual <0.00003mg/m3 **Ref. 3064003A**

- Packaging: 1 pz.
- Weight: 8 g



# THERMODRY TECHNOLOGY

The new TD<sup>3</sup> PRO and TD<sup>1</sup> PRO multifunctional heat conditioner range is a unique and innovative compressed air conditioning system inside a paint booth that lets you work with heat regulated air and, for TD<sup>3</sup> PRO, without any solid and gaseous impurities.

The Thermodry Technology line, equipped with the new and more powerful THT hose and rich range of accessories, now represents the top in terms of efficiency and reliability in the paint phase, based on 3 main functions:

- 1 - Air heating and thermoregulation: the TD<sup>3</sup> PRO / TD<sup>1</sup> PRO heating element, combined with the THT heated hose and internal J thermocouple, heat and regulate air to allow the operator to paint at constant temperature, regardless of the climate/room conditions.

Let's not forget that air used in painting can even drop (due to air expansion) under 5°C.

TD PRO can reach temperatures between 20 and 50°C during the paint phase, essential for water-based and UHS transparent paint application, and over 70°C for drying.

Temperature which, once quickly reached, are kept constant during the entire work phase.

- 2 - Air filtering (TD<sup>3</sup> PRO only): the full line of equipment filtering groups, water-oil-silica-active carbons, can achieve fully clean and breathable compressed air.

- 3 - Automatic dehumidifying mass regeneration (TD<sup>3</sup> PRO only): once saturated with humidity, Silica gel requires regeneration. The TD<sup>3</sup> PRO SRS system, due to the hot air flow inversion generated by the heating element, regenerates the entire humidifying mass in just 4 hours.



## THERMODRY TECHNOLOGY: BENEFITS

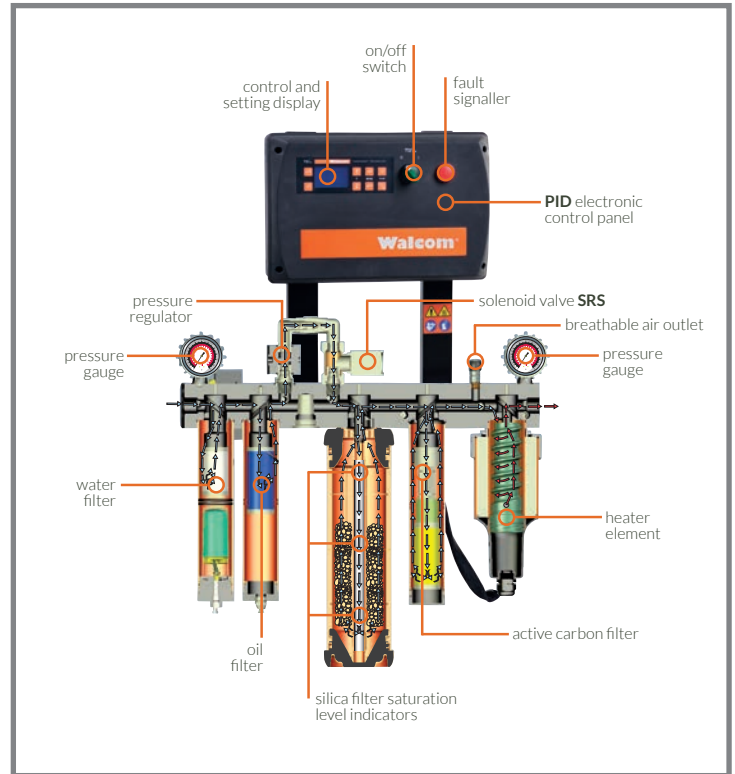
Integral and efficient system use provides the following benefits:

- 1 saving up to 20% of paint material;
- 2 up to 40% drying time savings over traditional systems;
- 3 the possibility of lowering paint booth temperature by at least 5°C over that recommended by paint manufacturers;
- 4 better paint layout;
- 5 higher application speed;
- 6 elimination of brilliancy loss;
- 7 reduction of spot risks;
- 8 "orange peel" effect reduction;
- 9 full elimination of solid and gaseous impurities;
- 10 lowering of the dew point;
- 11 automatic and timed silica regeneration (TD<sup>3</sup> PRO);
- 12 constant compressed air and hose temperature to fully guarantee system efficiency.

# TD<sup>3</sup> PRO - TD<sup>1</sup> PRO

The new TD<sup>3</sup> and TD<sup>1</sup> multifunctional heat conditioner "PRO" line responds to user's suggestions, significantly contributing to the development of this new TD series. In fact, experience is the foundation of each product and its success, and what better advice can contribute to perfecting a tool than that from people who use it every day? Walcom, always attentive to these market inputs, has translated all this into a new efficient TD "PRO" series, with the following improvements:

- the new Tech Pro software, able to efficiently control tool operations, offers the operator the possibility of working in full safety and efficiency;
  - doubled air flow (over 1.200 l/min) for fully efficient operations even with two spray guns;
  - the new THT hose's doubled heating power, 1.200 W, grants higher reactivity in reaching and maintaining set temperatures, with the consequent practically total reduction of operator wait time;
  - the new automatic condensation drain system, for higher cleaning and tool maintenance security.
- New and important features that further enhance this exceptional tool that has stood out as the most efficient and complete on the market.



- 1 NEW SOFTWARE**  
The Tech Pro version efficiently manages TD operations, controlling any system faults.
- 2 DOUBLED AIR FLOW**  
The 1200 l/min air flow lets you use 2 spray guns in full efficiency.
- 3 DRAIN SYSTEM**  
Automatic for water with safety rod for any clogs, manual for oil.
- 4 THT PRO**  
New high performance and efficient hose with 1200 W power.

TYPE

ITEM ID

RECOMMENDED USE

## TD<sup>3</sup> PRO

Cabin booth integrated air conditioning and thermoregulation system.

Ref. 60151\*\*



- Central body: anodised aluminum
- Composition:
  - 1) Synthetic fibre pre-filtering element that eliminates condensation. Automatic drain with safety rod for manual drain. Replace every 12 months.
  - 2) De-greaser filter to eliminate residual pollutants. Manual drain. Replace every 12 months.
  - 3) Drying group with silica gel that reduces residual humidity in compressed air. Possibility of silica gel regeneration with TD<sup>3</sup> PRO hot air flow SRS valve. Silica gel lasts max 1 year.
  - 4) Active carbon filter to eliminate all impurities and obtain breathable air. Max oil residue < 0.0003 mg/m<sup>3</sup>. Replace every 6 months.
  - 5) Heating element with 1.200 W power controlled by an electronic unit with PID retroactive system and SCR heating power regulation.
- Pressure regulator: membrane regulation and automatic decompression
- Air inlet: F 3/4"; air outlet: F 1/2"
- Filtering power: air 5 µ - oil 0.01 µ
- Operating air pressure: 12 bar
- Air consumption: 1200 l/min to 6 bar
- Weight: 21 Kg



\*\* Ref. /T= with 1 remote control

### THC

Painted steel rack structure.  
Permits easy TD<sup>3</sup> PRO transport and use.

- Weight: 5.2 Kg

Ref. 3063303



## TD<sup>1</sup> PRO

Cabin booth integrated thermoregulation system.

Ref. 60152\*\*



- Central body: anodised aluminum
- Composition:
  - 1) Heating element with 1.200 W power controlled by an electronic unit with PID retroactive system and SCR heating power regulation.
- Pressure regulator: membrane regulation and automatic decompression
- Air inlet: F 3/4"; air outlet: F 1/2"
- Filtering power: air 5 µ - oil 0.01 µ
- Operating air pressure: 12 bar
- Air consumption: 1200 l/min to 6 bar
- Weight: 6.7 Kg



\*\* Ref. /T= with 1 remote control

### THC

Painted steel rack structure.  
Permits easy TD<sup>1</sup> PRO transport and use.

- Weight: 5.2 Kg

Ref. 3063303



## THT (12 M)

Ref. 60161

## THT (17 M)

Ref. 60163

## THT (22 M)

Ref. 60162



- Vulcanised, antistatic rubber heated air hose.
- Power: 1.200 W
  - Thermoregulation: internal J thermocouple
  - Dimensions: 10x15 mm - Length: 12/17/22 m
  - Weight: 2.4/4/5 Kg



TYPE

ITEM ID

RECOMMENDED USE

## THK

The kit comes in a case for scheduled TD<sup>3</sup>PRO annual equipment maintenance.

Ref. 60134



Composition:

- nr. 1 synthetic fibre water filter: to be replaced once a year;
- nr. 1 coalescent oil filter: to be replaced once a year;
- nr. 2 active carbon filters: to be replaced every 6 months;
- nr. 1 1.3 kg silica gel packaging.
- Weight: 2.28 Kg



## THRC

Remote control for TD<sup>3</sup> PRO and TD<sup>1</sup> PRO heat conditioner.

Ref. 3064076



3 factory set temperatures:

- T1= 42° for opaque base
- T2= 50° for transparent
- DRY = 70° for base drying
- Temperature can be changed by the operator.
- Weight: 489 g



## Fan Jet Thermo

Air pressure gun to dry the base at 70° C.  
Insulating handle and with air regulator control.

Ref. 60170



Blowing distance:

- 30-40 cm in the first seconds;
- 10-20 cm in the next stage.
- Body: ergonomic in transparent insulating plastic
- Nozzle: nylon and sunburst rubber
- Air consumption: 900 l / min at 6 bar
- Weight: 280 g



## Fan Jet Stand

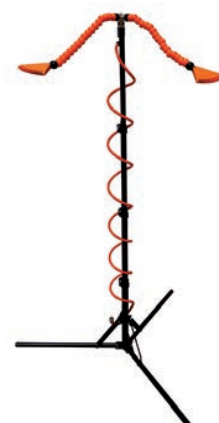
Support for 2 Fan Jet nozzles for drying the base at 70°.

Ref. 60167



Blowing distance:

- 30-40 cm in the first seconds;
- 10-20 cm in the next stage.
- Structure: aluminum
- Height: adjustable from 50 to 170 cm
- Tilt: adjustable from 0° to 360°
- Nozzle: nylon and rubber
- Air consumption: 980 l / min at 6 bar
- Weight: 4.5 kg



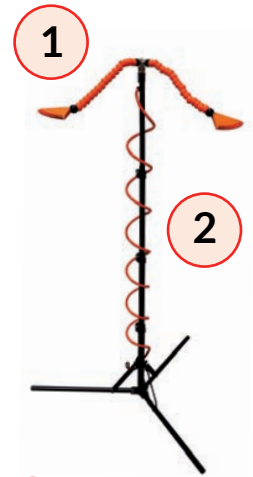
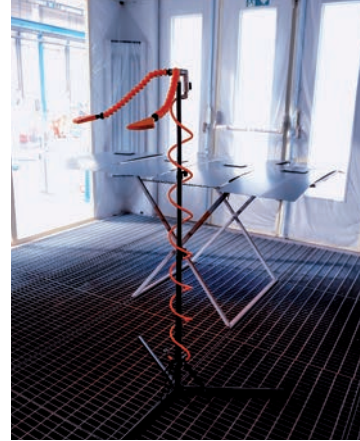
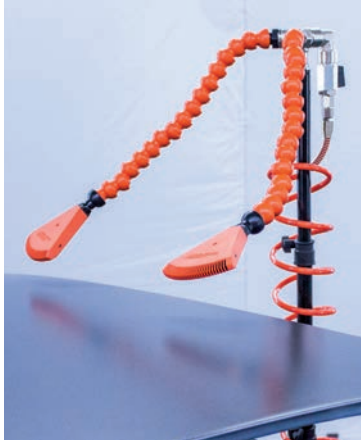


# FAN JET LINE

Specific line of products for drying bases. Lightweight, high-performance and ecological, they represent an innovative and high-performance system that can be summarized as follows:

- **more effective**: 40% reduction in drying time compared to traditional Venturi systems, thanks to the particular arc shape of the nozzle and the homogeneous flow of the air generated, which allows you to stand closer to the paint support;
- **more efficient**: 50% reduction in air consumption;
- **more practical**: 30% weight reduction and 15% noise reduction.

Fan Jet is available in manual version, manual with a practical magnetic coupling system, or in a comfortable and versatile support adjustable in height and inclination.



- 1 FAN JET**  
Fan Jet with radial nozzle in nylon and thermoplastic rubber
- 2 STRUCTURE**  
Stand structure adjustable in height and angle, with practical adjustable arms.

## TYPE

## ITEM ID

## RECOMMENDED USE

### Fan Jet

Gun for drying at 70° of the continuous flow base, equipped with an air regulator.

Ref. 60150/BP



Blowing distance:

- 30-40 cm in the first stage; 10-20 cm in the final drying.

- Body: metallic
- Nozzle: nylon and rubber radial pattern
- Air consumption: 900l / min at 6 bar
- Weight: 140 g



### Fan Jet Magnetic

Gun for drying at 70°, continuous flow base, equipped with an air regulator. Version with magnet 18x18 mm for a practical and easy to attach to the cabin walls.

Ref. 60150/MAG



Blowing distance:

- 30-40 cm in the first stage; 10-20 cm in the final drying.

- Body: metallic
- Nozzle: nylon and rubber radial pattern
- Air consumption: 900l / min at 6 bar
- Weight: 150 g



### Fan Jet Stand

Support for 2 Fan Jet nozzles for the base withering at 70°.

Ref. 60167



Blowing distance:

- 30-40 cm in the first seconds;

- 10-20 cm in the next stage.

- Structure: aluminum
- Height: adjustable from 50 to 170 cm
- Tilt: adjustable from 0° to 360°
- Nozzle: nylon and rubber sunburst
- Air consumption: 980 l/min at 6 bar
- Weight: 4.5 Kg



# ECODRY LINE

The Ecodry line includes the range of quick water-based paint drying guns and systems.

Ecodry, exploiting the Venturi system, can increase the emitted air volume by about 15 times, thus significantly reducing drying time.

The enormous generated volume of air, in fact, associated with heat taken from the paint booth (20% mains air, 80% recycled air), allows for the fast evaporation of water residue.

The range now also includes a LIGHT version made of insulating anti-static thermoplastic material for lightweight and heatproof work.

**IMPORTANT:** work with perfectly filtered air to avoid the infiltration of impurities that could compromise finish quality.



- 1 **NUT**  
Air flow regulation nut
- 2 **BODY**  
Body fully made of nylon for lighter, more practical work.
- 3 **REGULATION**  
Air flow regulator for higher use precision.

## TYPE

## ITEM ID

## RECOMMENDED USE

### Ecodry

Aluminum blower gun to dry waterborne paint, adjustable flow - volume.

**Ref. 60125**

- Central body: anodised aluminum
- Grip: nylon
- Blow distance: 40-50 cm from the surface, continuously moving the gun
- Operating air pressure: 0.5-2 bar
- Air consumption: 200-300 l/min.
- Packaging: 1 pcs
- Weight: 550 g



### Ecodry light

Super light nylon blower to dry waterborne paint, adjustable flow - volume.

**Ref. 60143**

- Body: nylon
- Blow distance: 40-50 cm from the surface, continuously moving the gun
- Operating air pressure: 0.5-2 bar
- Air consumption: 200-300 l/min.
- Packaging: 1 pcs
- Weight: 390 g



### Ecodry stand

Aluminum support with 2 Ecodry light - D plug  
Aluminum support with 2 Ecodry light - JP plug

**Ref. 60165**

**Ref. 60165/JP**

Ecodry stand dries any type of surface from 1 m distance.

- Features: zinc steel structure, 4 anodized aluminum sustaining axis, adjustable.
- Fittings: X 300 U- X400
- Hose: poliurethane spirial hose
- Packaging: 1 pcs
- Dimensions cm: L 160 x P 80 x H 250 cm
- Weight: 9.1 Kg



# SPRAY GUN CLEANER

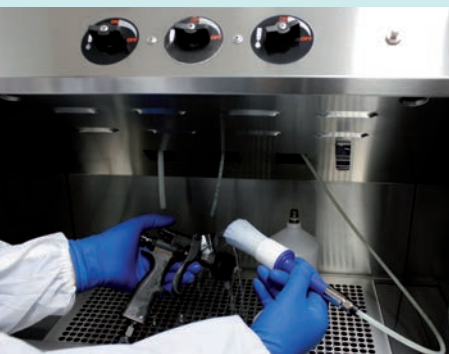
The EASY series spray gun cleaners are used to manually clean spray guns and are the best and most convenient solution for those who want to create an area dedicated to spray gun cleaning.

Practical, essential and complete, the EASY gun cleaners are available in the /S versions for solvent paints and /W versions for water-based paints.

Spraygun cleaner EASY, it allows a proper cleaning and maintenance of your spraygun, really practical and safe, it helps to maintain your spraygun properly and ecofriendly.

The powerful thinner atomizer (water atomizer in the /W version), combines with proper operation, allow for the best results in spraygun clean and maintenance.

Always use protective gloves during cleaning



- 1 EXHAUST HOOD**  
This guarantees the absence of solvent and other fumes, additionally protecting the operator's health.
- 2 FLOW CHANNELS**  
Ecological and efficient, they work with the Venturi and gravity systems.
- 3 WORK SURFACE**  
Ample and secure, it provides for efficient and fast work.
- 4 BLOW GUN**  
To assist the operator in the spray gun cleaning phases.



# SPRAY GUN CLEANER

TYPE

ITEM ID

RECOMMENDED USE

## Easy/S

Spray gun cleaner for solvent paints.

Ref. 90061



For more accurate spray gun cleaning in three phases:

- 1) atomized clean solvent flow
  - 2) clean solvent flow
  - 3) recycled solvent flow
- Structure: zinc sheet
  - Dimension of washing tank: L 62 x P 36 x H 50 cm
  - Total dimensions cm: L 62 x P 36 x H 140 cm
  - Operating air pressure: 4.0-6.0 bar
  - Air consumption: 65 l/min.
  - Packaging: 1 pcs
  - Weight: 38 Kg



## Easy/W

Manual gun cleaner suited for water-based paints.

Ref. 90062



For more accurate spray gun cleaning in three phases:

- 1) atomized clean water flow
  - 2) clean water flow
  - 3) recycled water flow
- Structure: stainless steel
  - Cleaning tank: stainless steel
  - Dimension of washing tank: L 55 x P 33 x H 20 cm
  - Total dimensions cm: L 68 x P 41 x H 140 cm
  - PA/6 cleaning assistant blow gun
  - Operating air pressure: 4.0-6.0 bar
  - Air consumption: 65 l/min.
  - Packaging: 1 pcs
  - Weight: 43 Kg



# COMPRESSED AIR GUNS

Complete range of compressed air guns for efficiency and long term professional use in the body-shop workshop. From standard air compressed guns to those for mono-component soundproofing protective compounds, all are manufactured with a MOPLÉN body and the components are produced in brass and stainless steel. The new adjustable nozzle of the IAVL - FG allows to obtain different spray thickness according to the surface to be treated.



- 1 NOZZLE**  
 External mixing nozzle for event powder product distribution on the surface to be treated.
- 2 TANK**  
 Anodised aluminum tank for 1 l cans or cartridges with any thread.
- 3 REGULATOR**  
 Inlet air flow regulator to adjust the finish during work.
- 4 SAFETY VALVE**  
 Safety valve to permit the automatic release of any over-pressure.

**TYPE**

**ITEM ID**

**RECOMMENDED USE**

## IM BODY

Protective soundproof application gun for under bodies, single components and protective waxes, equipped with a product flow regulator and inlet air flow regulator.

**Ref. 50242/W**

- Nozzle: 1 short nozzle with fan  
3 different types of atomising nozzles with 90 cm extensions
- Tank: in anodized aluminum with internal thread cartridge holder and aluminum suction tube.
- Operating air pressure: 5.0 - 8.0 bar
- Packaging: 1 pcs
- Weight: 2.1 Kg



# COMPRESSED AIR GUNS

TYPE

ITEM ID

RECOMMENDED USE

## AS/FG

Professional blow gun with flow delivery valve.

Ref. 40004/W



- Body: moplén
- Ugello: ottone nichelato
- Nozzle: nickel-plated brass
- Packaging: 1 pcs
- Weight: 200 g



## PC/NS-FG

Gun for applying adhesives, fillers and silicone in cartridges.

Ref. 30038



- Body: moplén
- Tank: aluminum
- Operating air pressure: 2 - 2.5 bar
- Packaging: 1 pcs
- Cartridge: L 22.5 cm - diam. min Ø 40 - diam. max Ø 50
- Weight: 575 g



## IA/L - FG

Gun for applying monocomponent soundproofing protective compounds and protective wax polyurethane bases in 1 l tins.

Ref. 30022\*\*



- |   |   |
|---|---|
| <ul style="list-style-type: none"> <li>• Body: moplén</li> <li>• Nozzle: adjustable spray</li> <li>• Length of suction tube: 23 cm</li> <li>• Operating air pressure: 2 - 2.5 bar</li> <li>• Packaging: 1 pcs</li> <li>• Weight: 260 g</li> </ul> | <ul style="list-style-type: none"> <li>• Connector: with European thread (Ref. 30022)</li> <li>with USA thread (** Ref. 30022USA)</li> <li>with Southamerican thread (** Ref. 30022AM)</li> </ul> |
|---|---|



## IA/LU - FG

Gun for applying monocomponent soundproofing protective compounds and protective wax polyurethane bases in pre-packed tins.

Ref. 30023\*\*



- |  |  |
|--|--|
| <ul style="list-style-type: none"> <li>• Body: moplén</li> <li>• Featuring: 2 suction tubes, 1 tube with special nozzle for spraying inside parts</li> <li>• Nozzle: adjustable spray</li> <li>• Operating air pressure: 2 - 2.5 bar</li> <li>• Packaging: 1 pcs</li> <li>• Weight: 300 g</li> </ul> | <ul style="list-style-type: none"> <li>• Connector: with European thread (Ref. 30023)</li> <li>with USA thread (** Ref. 30023USA)</li> <li>with Southamerican thread (** Ref. 30023AM)</li> <li>• Length of suction tube: 23 cm</li> <li>• Length extension tube: 60 cm</li> </ul> |
|--|--|



## TS

Gun for applying single component soundproofing protective compounds including polyurethane based compounds and protective waxes in pre-packed 1 l tins.

- Body: polished and nickel-plated metal with soft-touch rubber overprinting
- Featuring: 60 cm long extension tube with special nozzle for spraying in box sections
- Operating air pressure: 2 - 2.5 bar
- Packaging: 1 pcs
- Weight: 540 g
- Connector: with European thread (Ref. 50244/W)
- with USA thread (Ref. 50245/W)
- with Southamerican thread (Ref. 50244AM/W)









# General sales conditions

## Validity

The following standardised general sales conditions govern the sales agreements, and are integral part of our agreements even when orders are collected by fax, by phone, by e-mail, via internet or verbally.

The provisions, the conditions and any other incidental contractual negotiations, in the case they depart from these general conditions, must be stated and accepted in written, otherwise they will be invalid and without effectiveness.

This catalogue cancels and replaces the previous ones and it may be changed at any time without notice and without this entails any right by the Customers to receive compensation.

## Offers and Finalisation of the Contract

Technical descriptions and pictures are reported purely as an indication of the characteristic of the product, but they are not in themselves promises or essential quality of the supplied Products and therefore they may be changed at any time up to the finalisation of the contract.

Requests for quotations (Offers) are not in any case a "confirmed sales order". Further to said requests, Walmec S.p.A. will proceed exclusively in order to provide the required information.

Offers made by Walmec S.p.A. are not binding for the seller. The order made by the customer is binding and irrevocable according to article 1329 Italian Civil Code and for a period of 8 (eight) days after its receipt. Walmec S.p.A. has the right to accept the order either by written confirmation or by starting the execution of the contract, by shipping the ordered Products. The contract is believed to be finalised at Walmec S.p.A.'s commercial offices, via Trieste 10, Santa Lucia di Piave, Treviso, Italy. All orders transmitted are always to be considered "subject to approval" by Walmec S.p.A.

**Orders for a total value lower than EUR 500.00 (five-hundred/00) are not accepted, except in the case of orders made solely for spare parts which will only be despatched on cash in advance with carried prepaid.**

## Prices and Terms of Payment

Unless otherwise written agreement entered by the Parties, Walmec S.p.A. applies to the finalised contract prices quoted on its catalogues and on its price lists effective at the time of the receiving of the order. Prices are quoted net of V.A.T. due according to the Italian Law in force.

Title of Products sold is of Walmec S.p.A. until the full and total payment, and any down payment made will be retained as reimbursement of damages and expenses.

Invoices issued by Walmec S.p.A. must be settled within the written terms agreed by the Parties, at the creditor's domicile, according to Article 1182 Italian Civil Code, even if the payment is made by bill of exchange or cash order.

Being expired the stated payment term, Walmec S.p.A. is authorised to draw a bill without any notice.

In case of late payment beyond the terms agreed and specified on the invoice, interest will be charged and it will be equal to the legal interest rate increased by seven points and related expenses.

In case of late payment Walmec S.p.A. has the right to require the fulfilment of any pending order by asking either advance payment or cash on delivery.

**Freight charges will be accrued on the invoice except different agreement by the Parties. Packaging is billed at cost and it is not accepted in return.**

## Delivery Terms

Walmec S.p.A., in case of orders of remarkable quantity, has the option to make partial delivery.

Delivery terms are never binding; a possible missed delivery either fully or partially, or a simple delay, does not constitute right to recover any damage unless it was explicitly agreed in written form and accepted by the Parties.

In case the Parties have written agreed the Customer will make a down payment, the delivery term starts from the receipt of the agreed sum.

## Shipping Risks

Products are shipped with all the risks in charge of the Customer, even if the Products are sold free domicile. Unless otherwise agreed by the Parties in written form, Walmec S.p.A. ships the Products to the address indicated by the Customers.

If the shipment is delayed because of reasons attributable to the customer, the risk in the title or for deterioration of the Products is in charge of the customer starting from the day when Walmec S.p.A. informs the customer to be ready to the shipment of the Products.

In all cases of force-majeure events, such as strikes, stoppage of transport, etc., Walmec S.p.A. will be exempted by its duty concerning the shipment, whereas such events could not be claimed by the customer as reason to annul the order.

Walmec S.p.A. will not bear any responsibility for any possible shortage of materials or damages of the parcels due to shipment made using parcels or train packaging. We advise our customers to check the quantity of the goods and the shipment conditions before taking delivery of the Products.

## Title Retention Agreement

Walmec S.p.A. has the title on the supplied Products up to the integral payment of the due amount and of any other sum due by the Customer for any reason.

Risks and responsibility related to the use of the supplied Products are in charge of the customer starting from the time of the delivery.

## Guarantee for Product Defects

The customer, at the time of the delivery, has the burden to check if the supplied Products match with the submitted order both in quantity and quality and if they are free from defects noticed with a quick view using the normal diligence.

Complaints for damages caused by the transport shall be sent directly to the carrier at the time of the receiving of the Product by specific note on the forwarding agent's delivery note, giving notice to Walmec S.p.A. within and not later than 8 (eight) days. Being expired said term, products are considered received and accepted.

Walmec S.p.A. guarantees the conformity of the supplied Products according to what is reported in the catalogue. Products supplied are covered by 12 (twelve) months warranty period, starting from the delivery date, against construction and material defects. In any case the guarantee is not applicable if the customer is not able to prove having made a correct use, maintenance and preservation of the Products.

Walmec S.p.A. denies any liability for damages to persons, animals and things due to an inaccurate and improper use of the Products.

## Repairs

Shipments for repairs must be delivered carriage paid to Walmec premises located in via Trieste 10, Santa Lucia di Piave, Treviso, Italy, and will be sent back DDU charging the freight costs on the invoice. Repairs made during the warranty period will be sent back DDU.

## Applicable Law and Jurisdiction

Any dispute arising in connection with the present contract shall be finally settled in front of the Treviso Court. This contract is governed by the Italian Law.

**WALMEC SPA**  
**WALMEC ITALY HEADQUARTERS**

VIA TRIESTE 10, 31025 - S.LUCIA DI PIAVE - (TV) - ITALY  
TEL +39 0438 6611  
FAX: +39 0438 661333  
E-MAIL: [WALMEC@WALMEC.COM](mailto:WALMEC@WALMEC.COM)  
WEB: [WWW.WALMEC.COM](http://WWW.WALMEC.COM)

**PRODUCTION PLANT**

VIALE DELLA VITTORIA 33, 24054 - CALCIO - (BG) - ITALY

